

CE EMC Test Report

Report No.: CE191225C13

Test Model: EXBC-1100

Series Model: EXBC-1XXXXXXXXXXXXX ("X" can be 0-9, A-Z or blank for marketing purpose)

Received Date: Jul. 17, 2019

Test Date: Jul. 23 ~ Dec. 13, 2019

Issued Date: Dec. 30, 2019

Applicant: Vecow Co., Ltd.

Address: 12F, No.111, Zhongcheng Rd., Tucheng Dist., New Taipei City 236, Taiwan

Issued By: Bureau Veritas Consumer Products Services (H.K.) Ltd., Taoyuan Branch
Lin Kou Laboratories

Lab Address: No. 47-2, 14th Ling, Chia Pau Vil., Lin Kou Dist., New Taipei City, Taiwan

Test Location: No. 19, Hwa Ya 2nd Rd, Wen Hwa Vil., Kwei Shan Dist., Taoyuan City
33383, Taiwan



This report is for your exclusive use. Any copying or replication of this report to or for any other person or entity, or use of our name or trademark, is permitted only with our prior written permission. This report sets forth our findings solely with respect to the test samples identified herein. The results set forth in this report are not indicative or representative of the quality or characteristics of the lot from which a test sample was taken or any similar or identical product unless specifically and expressly noted. Our report includes all of the tests requested by you and the results thereof based upon the information that you provided to us. You have 60 days from date of issuance of this report to notify us of any material error or omission caused by our negligence, provided, however, that such notice shall be in writing and shall specifically address the issue you wish to raise. A failure to raise such issue within the prescribed time shall constitute your unqualified acceptance of the completeness of this report, the tests conducted and the correctness of the report contents. Unless specific mention, the uncertainty of measurement has been explicitly taken into account to declare the compliance or non-compliance to the specification. The report must not be used by the client to claim product certification, approval, or endorsement by A2LA or any agency of the U.S. Government. The report must not be used by the client to claim product certification, approval, or endorsement by TAF or any government agencies.

Table of Contents

| | |
|---|-----------|
| Release Control Record | 5 |
| 1 Certificate of Conformity | 6 |
| 2 Summary of Test Results | 7 |
| 2.1 Measurement Uncertainty | 8 |
| 2.2 Modification Record..... | 8 |
| 3 General Information | 9 |
| 3.1 General Description of EUT | 9 |
| 3.2 Features of EUT | 9 |
| 3.3 Operating Modes of EUT and Determination of Worst Case Operating Mode | 10 |
| 3.4 Test Program Used and Operation Descriptions..... | 11 |
| 3.5 Primary Clock Frequencies of Internal Source..... | 11 |
| 3.6 Miscellaneous..... | 12 |
| 4 Configuration and Connections with EUT..... | 13 |
| 4.1 Connection Diagram of EUT and Peripheral Devices | 13 |
| 4.2 Configuration of Peripheral Devices and Cable Connections | 15 |
| 5 Conducted Disturbance at Mains Ports..... | 17 |
| 5.1 Limits | 17 |
| 5.2 Test Instruments | 17 |
| 5.3 Test Arrangement | 18 |
| 5.4 Test Results..... | 19 |
| 6 Asymmetric Mode Conducted Emission at Wired Network Ports | 23 |
| 6.1 Limits | 23 |
| 6.2 Test Instruments | 24 |
| 6.3 Test Arrangement | 25 |
| 6.4 Test Results | 28 |
| 7 Radiated Disturbance up to 1 GHz..... | 30 |
| 7.1 Limits | 30 |
| 7.2 Test Instruments | 30 |
| 7.3 Test Arrangement | 31 |
| 7.4 Test Results..... | 32 |
| 8 Radiated Disturbance above 1 GHz | 34 |
| 8.1 Limits | 34 |
| 8.2 Test Instruments | 35 |
| 8.3 Test Arrangement | 36 |
| 8.4 Test Results..... | 37 |
| 9 Harmonics Current Measurement | 39 |
| 9.1 Limits | 39 |
| 9.2 Classification of Equipment..... | 39 |
| 9.3 Test Instruments | 40 |
| 9.4 Test Arrangement | 40 |
| 9.5 Test Results..... | 40 |
| 10 Voltage Fluctuations and Flicker Measurement | 41 |
| 10.1 Limits | 41 |
| 10.2 Test Instruments | 41 |
| 10.3 Test Arrangement | 41 |
| 10.4 Test Results..... | 42 |

| | | |
|-----------|--|-----------|
| 11 | General Immunity Requirements | 43 |
| 11.1 | Specific Immunity Requirements by Manufacturer | 44 |
| 11.2 | Performance Criteria | 44 |
| | General Performance Criteria | 44 |
| | Product Specific Performance Criteria | 45 |
| 12 | Electrostatic Discharge Immunity Test (ESD)..... | 46 |
| 12.1 | Test Specification | 46 |
| 12.2 | Test Instruments | 46 |
| 12.3 | Test Arrangement | 46 |
| 12.4 | Test Results | 48 |
| 13 | Radiated, Radio-frequency, Electromagnetic Field Immunity Test (RS) | 54 |
| 13.1 | Test Specification | 54 |
| 13.2 | Test Instruments | 54 |
| 13.3 | Test Arrangement | 55 |
| 13.4 | Test Results | 55 |
| 14 | Electrical Fast Transient/Burst Immunity Test (EFT)..... | 56 |
| 14.1 | Test Specification | 56 |
| 14.2 | Test Instruments | 56 |
| 14.3 | Test Arrangement | 57 |
| 14.4 | Test Results | 58 |
| 15 | Surge Immunity Test..... | 59 |
| 15.1 | Test Specification | 59 |
| 15.2 | Test Instruments | 59 |
| 15.3 | Test Arrangement | 60 |
| 15.4 | Test Results | 62 |
| 16 | Immunity to Conducted Disturbances Induced by RF Fields (CS) | 63 |
| 16.1 | Test Specification | 63 |
| 16.2 | Test Instruments | 63 |
| 16.3 | Test Arrangement | 64 |
| 16.4 | Test Results | 65 |
| 17 | Power Frequency Magnetic Field Immunity Test..... | 66 |
| 17.1 | Test Specification | 66 |
| 17.2 | Test Instruments | 66 |
| 17.3 | Test Arrangement | 66 |
| 17.4 | Test Results | 67 |
| 18 | Voltage Dips and Interruptions..... | 68 |
| 18.1 | Test Specification | 68 |
| 18.2 | Test Instruments | 68 |
| 18.3 | Test Arrangement | 68 |
| 18.4 | Test Results | 69 |
| 19 | Pictures of Test Arrangements | 70 |
| 19.1 | Conducted Disturbance at Mains Ports..... | 70 |
| 19.2 | Asymmetric Mode Conducted Emission at Wired Network Ports | 71 |
| 19.3 | Radiated Disturbance up to 1 GHz | 72 |
| 19.4 | Radiated Disturbance above 1 GHz..... | 73 |
| 19.5 | Harmonics Current, Voltage Fluctuations and Flicker Measurement..... | 74 |
| 19.6 | Electrostatic Discharge Immunity Test (ESD) | 74 |
| 19.7 | Radio-frequency, Electromagnetic Field Immunity Test (RS)..... | 75 |
| 19.8 | Electrical Fast Transient/Burst Immunity Test (EFT)..... | 77 |

| | | |
|---|---|-----------|
| 19.9 | Surge Immunity Test..... | 78 |
| 19.10 | Conducted Disturbances Induced by RF Fields (CS) | 79 |
| 19.11 | Power Frequency Magnetic Field Immunity Test (PFMF) | 80 |
| 19.12 | Voltage Dips and Interruptions | 81 |
| Appendix – Information of the Testing Laboratories | | 82 |

Release Control Record

| Issue No. | Description | Date Issued |
|-------------|------------------|---------------|
| CE191225C13 | Original Release | Dec. 30, 2019 |

1 Certificate of Conformity

Product: Motherboard
Brand: Vecow
Test Model: EXBC-1100
Series Model: EXBC-1XXXXXXXXXXXX ("X" can be 0-9, A-Z or blank for marketing purpose)
Sample Status: Identical Prototype
Applicant: Vecow Co., Ltd.
Test Date: Jul. 23 ~ Dec. 13, 2019
Standards: **EN 55032:2015 +AC:2016, Class A**
EN 61000-3-2:2014, Class A
EN 61000-3-3:2013
EN 55024:2010
EN 55024:2010 +A1:2015
EN 61000-4-2:2009 / IEC 61000-4-2:2008 ED.2.0
EN 61000-4-3:2006 +A1:2008 +A2:2010 / IEC 61000-4-3:2010 ED. 3.2
EN 61000-4-4:2012 / IEC 61000-4-4:2012 ED. 3.0
EN 61000-4-5:2014 +A1:2017 / IEC 61000-4-5:2014 +A1:2017 ED. 3.0
EN 61000-4-6:2014 +AC:2015 / IEC 61000-4-6:2013 ED.4.0
EN 61000-4-8:2010 / IEC 61000-4-8:2009 ED. 2.0
EN 61000-4-11:2004 +A1:2017 / IEC 61000-4-11:2004 +A1:2017 ED. 2.0

The above equipment has been tested by **Bureau Veritas Consumer Products Services (H.K.) Ltd., Taoyuan Branch**, and found compliance with the requirement of the above standards. The test record, data evaluation & Equipment Under Test (EUT) configurations represented herein are true and accurate accounts of the measurements of the sample's EMC characteristics under the conditions specified in this report.

Prepared by :  , Date: Dec. 30, 2019
Lena Wang / Specialist

Approved by :  , Date: Dec. 30, 2019
Carl Chen / Project Engineer

2 Summary of Test Results

| Emission | | | | |
|------------------------|--------|---|--|---------|
| Standard | Clause | Test Item | Result/Remarks | Verdict |
| EN 55032:2015 +AC:2016 | A.3 | Mains terminal disturbance voltage | Minimum passing Class A margin is -13.20 dB at 12.59250 MHz | Pass |
| EN 55032:2015 +AC:2016 | A.3 | Asymmetric mode conducted emission at wired network ports | Minimum passing Class A margin is -1.23 dB at 2.51375 MHz | Pass |
| EN 55032:2015 +AC:2016 | A.2 | Radiated disturbance 30-1000 MHz | Minimum passing Class A margin is -1.47 dB at 615.99 MHz | Pass |
| EN 55032:2015 +AC:2016 | A.2 | Radiated disturbance above 1 GHz | Minimum passing Class A margin is -5.07 dB at 1386.00 MHz | Pass |
| EN 61000-3-2:2014 | - | Harmonic current emissions | Class A The power consumption of EUT is less than 75W and no limits apply. | Pass |
| EN 61000-3-3:2013 | - | Voltage fluctuations and flicker | $P_{st} \leq 1.0$ $d_{max} \leq 4 \%$ $P_{It} \leq 0.65$ $d_c \leq 3.3 \%$ $T_{max} \leq 500$ ms | Pass |

| Immunity | | | | |
|-----------------|--|--|--|---------|
| EN 55024 Clause | Basic standard | Test Item | Result/Remarks | Verdict |
| 4.2.1 | EN 61000-4-2:2009 / IEC 61000-4-2:2008 ED. 2.0 | Electrostatic discharges (ESD) | Performance Criterion B | Pass |
| 4.2.3.2 | EN 61000-4-3:2006 +A1:2008 +A2:2010 / IEC 61000-4-3:2010 ED. 3.2 | Continuous radiated disturbances (RS) | Performance Criterion A | Pass |
| 4.2.2 | EN 61000-4-4:2012 / IEC 61000-4-4:2012 ED. 3.0 | Electrical fast transients (EFT) | Performance Criterion A | Pass |
| 4.2.5 | EN 61000-4-5:2014 +A1:2017 / IEC 61000-4-5:2014 +A1:2017 ED. 3.0 | Surges | Performance Criterion A | Pass |
| 4.2.3.3 | EN 61000-4-6:2014 +AC:2015 / IEC 61000-4-6:2013 ED. 4.0 | Continuous conducted disturbances (CS) | Performance Criterion A | Pass |
| 4.2.4 | EN 61000-4-8:2010 / IEC 61000-4-8:2009 ED. 2.0 | Power-frequency magnetic fields (PFMF) | Performance Criterion A | Pass |
| 4.2.6 | EN 61000-4-11:2004 +A1:2017 / IEC 61000-4-11:2004 +A1:2017 ED. 2.0 | Voltage dips and interruptions | Voltage Dips: >95 % reduction – 0.5 period, Performance Criterion A 30 % reduction – 25 periods, Performance Criterion A Voltage Interruptions: >95 % reduction – 250 periods, Performance Criterion C | Pass |

Note:

1. There is no deviation to the applied test methods and requirements covered by the scope of this report.

2. The above EN / IEC basic standards are applied with latest version if customer has no special requirement.
3. Determining compliance based on the results of the compliance measurement, not taking into account measurement instrumentation uncertainty.

2.1 Measurement Uncertainty

Where relevant, the following measurement uncertainty levels have been estimated for tests performed on the EUT as specified in CISPR 16-4-2:

| Measurement | Expanded Uncertainty (k=2) (\pm) | Maximum allowable uncertainty (\pm) |
|---|---|--|
| Conducted disturbance at mains port using AMN, 150 kHz ~ 30 MHz | 2.79 dB | 3.4 dB (U_{CISPR}) |
| Asymmetric mode conducted emission using AAN, 150 kHz ~ 30 MHz | 4.28 dB | 5.0 dB (U_{CISPR}) |
| Radiated disturbance, 30 MHz ~ 1 GHz | 4.14 dB | 6.3 dB (U_{CISPR}) |
| Radiated disturbance, 1 GHz ~ 6 GHz | 5.04 dB | 5.2 dB (U_{CISPR}) |

2.2 Modification Record

There were no modifications required for compliance.

3 General Information

3.1 General Description of EUT

| | |
|---------------------|--|
| Product | Motherboard |
| Brand | Vecow |
| Test Model | EXBC-1100 |
| Series Model | EXBC-1XXXXXXXXXXXXX ("X" can be 0-9, A-Z or blank for marketing purpose) |
| Status of EUT | Identical Prototype |
| Operating Software | Windows 10 |
| Power Supply Rating | 24 Vdc (Adapter) |
| Accessory Device | N/A |
| Data Cable Supplied | N/A |

Note:

1. The EUT is authorized for use in specific End-product.

| Product | Brand | Model |
|-------------------------|-------|-----------|
| High Performance System | Vecow | SPC-5600A |

2. All models are listed as below.

| Brand | Model | Difference |
|-------|--|---|
| Vecow | EXBC-1100 | All models are electrically identical, different model names are for marketing purpose. |
| | EXBC-1XXXXXXXXXXXXX ("X" can be 0-9, A-Z or blank for marketing purpose) | |

3. The End-product contains following accessory devices.

| Product | Brand | Model | Description |
|---------|----------|----------------------|---|
| Adapter | Meanwell | GST160A24_R7B (160W) | I/P: 100-240 Vac, 50/60 Hz, 2 A O/P: 24 Vdc, 6.67 A, 160W Max. 1.2 m non-shielded cable with core |
| CPU | Intel | I7-8700 | 3.2GHz |
| SSD | Innodisk | 3MG2-P | 64G |
| DDR4 | DSL | D4SN1G081SH26B-CI | 8GB |

3.2 Features of EUT

The tests reported herein were performed according to the method specified by Vecow Co., Ltd., for detailed feature description, please refer to the manufacturer's specifications or user's manual.

3.3 Operating Modes of EUT and Determination of Worst Case Operating Mode

Test modes are presented in the report as below.

| Mode | Test Condition |
|--|--|
| | Conducted Emission |
| 1 | LAN Link + Switch with cable + USB with M/S + USB with K/B + USB with HDD*2 + RS232 Terminal + Mic+Earphone + DP with Monitor*2 + DVI-I with Monitor + Adapter |
| | Asymmetric mode conducted emission at wired network ports test |
| 1 | LAN Link + Switch with cable + USB with M/S + USB with K/B + USB with HDD*2 + RS232 Terminal + Mic+Earphone + DP with Monitor*2 + DVI-I with Monitor + Adapter |
| The idle mode of conducted emission test at telecom port was pre-tested based on the worst case of link mode. Due to emissions of idle mode being very low compared to link mode, only the link mode data were presented in the test report. | |
| | Radiated Emission |
| 1 | LAN Link + Switch with cable + USB with M/S + USB with K/B + USB with HDD*2 + RS232 Terminal + Mic+Earphone + DP with Monitor*2 + DVI-I with Monitor + Adapter |
| Remark: | |
| 1. For radiated emission test, we had pre-tested all modes at 230V/50Hz and 110V/60Hz, test mode 1 at 110V/60Hz was the worst case and only this mode was presented in the report. | |

| Test Mode | Test Condition |
|-----------|--|
| | Harmonics, Flicker, Surge, Dip, RS, MF tests |
| 1 | LAN Link + Switch with cable + USB with M/S + USB with K/B + USB with Flash*2 + RS232 Terminal + Mic+Earphone + DP with Monitor*2 + DVI-I with Monitor + Adapter |
| | ESD test |
| 1 | LAN Link + Switch with cable + USB with M/S + USB with K/B + USB with HDD*2 + RS232 Terminal + Mic+Earphone + DP with Monitor*2 + DVI-I with Monitor + Adapter |

| Test Mode | Test Condition |
|-----------|---|
| | EFT, CS tests |
| 1 | LAN Link + Switch with cable + USB with M/S + USB with K/B + USB with Flash *2 + RS232 Terminal + Mic+Earphone + DP with Monitor*2 + DVI-I with Monitor + Adapter |
| 2 | LAN Link + Switch with cable + USB with M/S + USB with K/B + USB with Flash *2 + RS232 Terminal + Mic+Earphone + DP with Monitor*2 + DVI-I with Monitor + Adapter <Telecommunication Port with LAN 1 Cable> |
| 3 | LAN Link + Switch with cable + USB with M/S + USB with K/B + USB with Flash *2 + RS232 Terminal + Mic+Earphone + DP with Monitor*2 + DVI-I with Monitor + Adapter <Telecommunication Port with LAN 4 Cable> |

3.4 Test Program Used and Operation Descriptions

<Emission Tests>

- a. The EUT installed into High Performance System and placed on the testing table.
- b. The EUT was charged from adapter via High Performance System.
- c. The High Performance System linked with Notebooks via LAN cables.
- d. The High Performance System sent audio signal to the earphone.
- e. The High Performance System linked with Monitors via DP and DVI cables.
- f. The High Performance System read and wrote data with HDDs.
- g. The High Performance System linked with Keyboard and Mouse via USB Cable.
- h. The High Performance System linked with Terminals, I/O Cable and GND Cable.
- i. The EUT communicated data with the Notebooks, which acted as communication partners.

<Immunity Tests>

- a. The EUT installed into High Performance System and placed on the testing table.
- b. The EUT was charged from adapter via High Performance System.
- c. The High Performance System linked with Notebooks via LAN cables.
- d. The High Performance System sent audio signal to the earphone.
- e. The High Performance System linked with Monitors via DP and DVI cables.
- f. The High Performance System read and wrote data with Flashes and HDDs.
- g. The High Performance System linked with Keyboard and Mouse via USB Cable.
- h. The High Performance System linked with Terminals, I/O Cable and GND Cable.
- i. The EUT communicated data with the Notebooks, which acted as communication partners.

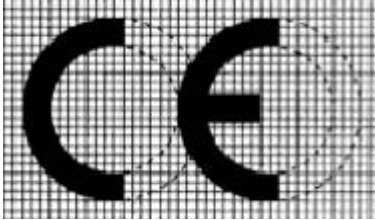
3.5 Primary Clock Frequencies of Internal Source

The highest frequency generated or used within the EUT or on which the EUT operates or tunes is 3700 MHz, provided by Vecow Co., Ltd., for detailed internal source, please refer to the manufacturer's specifications.

3.6 Miscellaneous

➤ Affix CE marking

The marking must be placed visibly and legibly on the product or, if not possible due to the nature of the product, be affixed to the packaging and the accompanying document. The CE marking shall consist of the initials 'CE' taking the following form:



The various components of the CE marking must have the same vertical dimension, and may not be smaller than 5 mm. If the CE marking is reduced or enlarged, the proportions given in the graduated drawing above must be respected.

When the product is subject to other Directives covering other aspects and which also provide for the 'CE' marking, the accompanying documents must indicate that the product also conforms to those other Directives.

However, when one or more of those Directives allow the manufacturer, during a transitional period, to choose which arrangements to apply, the 'CE' marking has to indicate conformity only with the Directives applied by the manufacturer. In this case, the particularities of the Directives applied, as published in the Official Journal of the European Union, must be given in the documents, notices or instructions required by the Directives and accompanying such products.

➤ EN 55032 Class A Warning

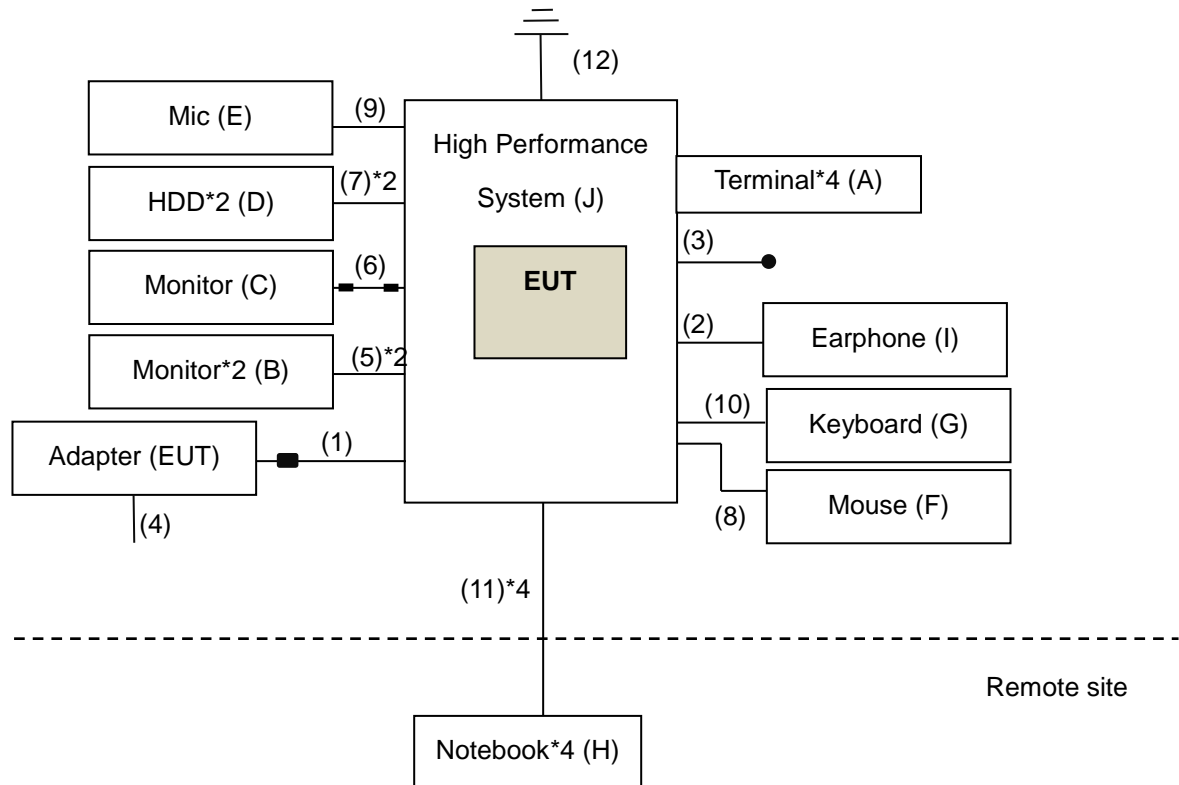
Class A ITE is a category of all other ITE which satisfies the class A ITE limits but not the class B ITE limits. The following warning shall be included in the instructions for use:

Warning: This equipment is compliant with Class A of EN 55032. In a residential environment this equipment may cause radio interference.

4 Configuration and Connections with EUT

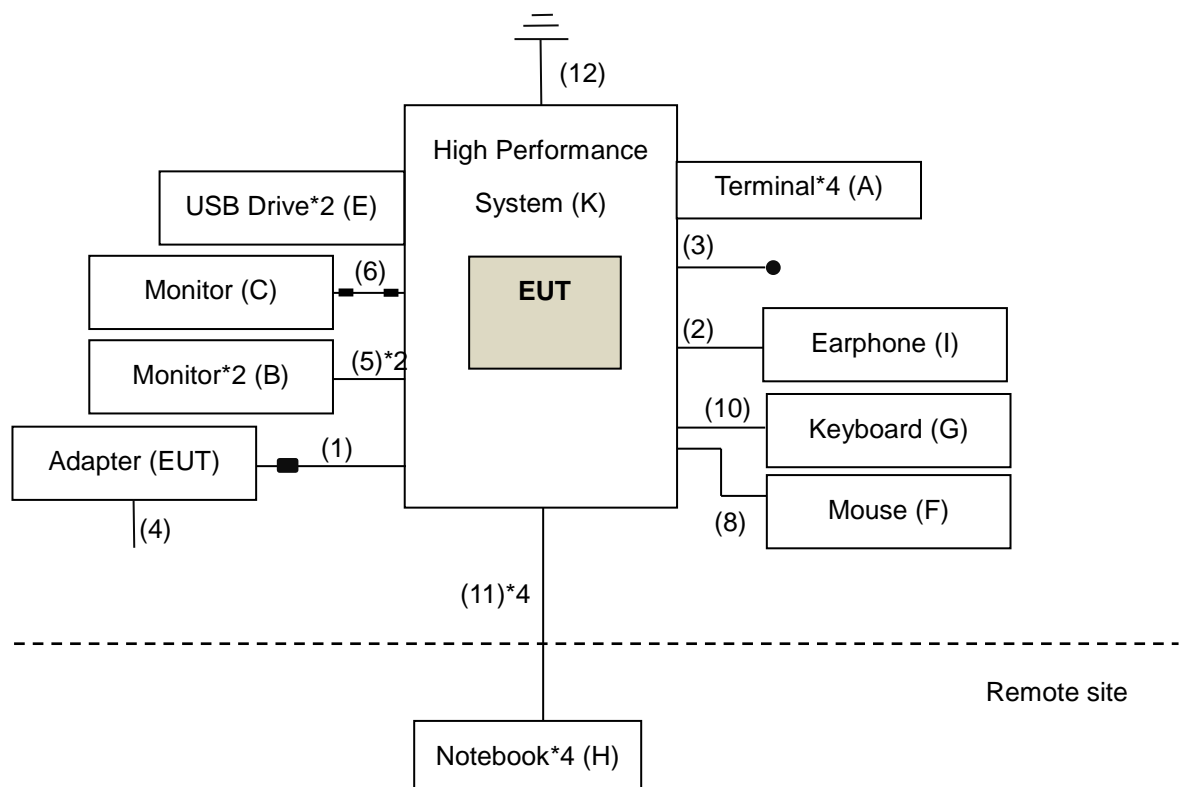
4.1 Connection Diagram of EUT and Peripheral Devices

Emission tests (Harmonics & Flicker excluded):

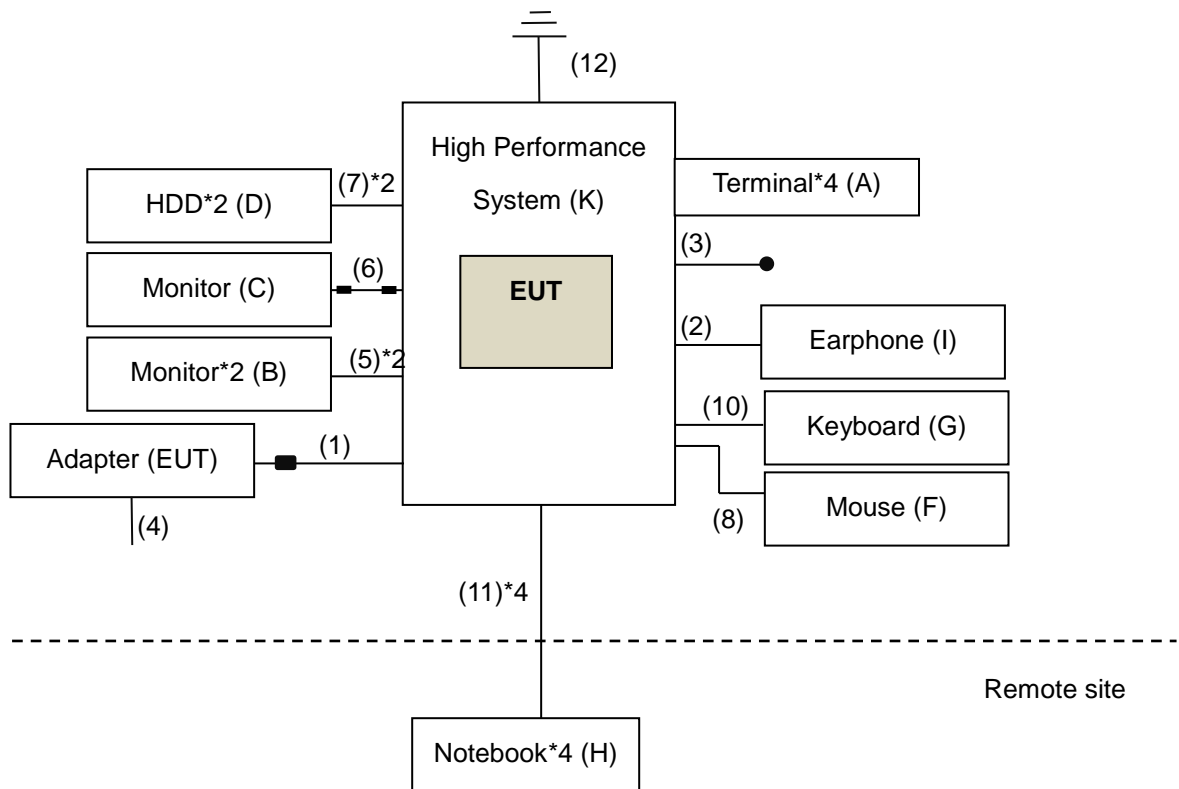


Immunity tests:

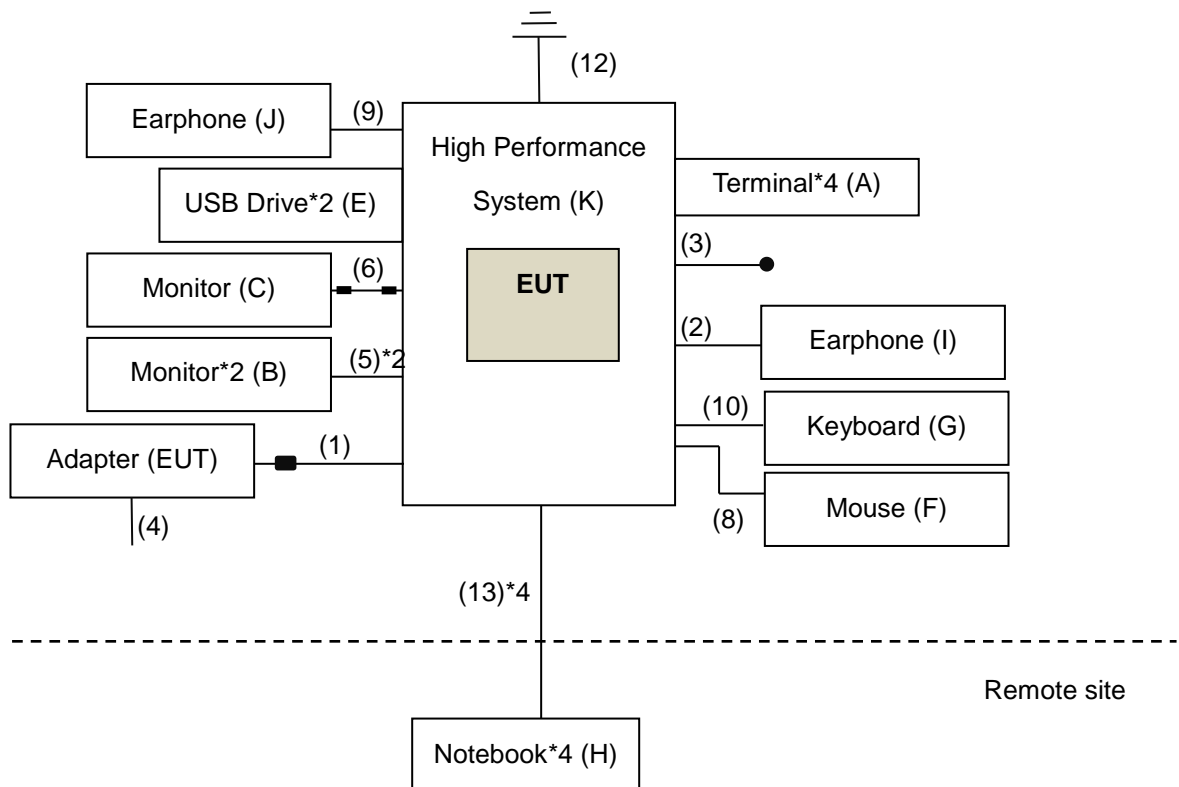
For Harmonics, Flicker, Surge, Dip, RS, MF Mode 1 & CS Mode 1~ 3



For ESD Mode 1



For EFT Mode 1 ~ 3



4.2 Configuration of Peripheral Devices and Cable Connections

Emission tests (Harmonics & Flicker excluded):

| ID | Product | Brand | Model No. | Serial No. | FCC ID | Remarks |
|----|-------------------------|---------|-----------|------------------------------|--------|--------------------|
| A. | Terminal*4 | N/A | N/A | N/A | N/A | Provided by client |
| B. | LCD Monitor | ASUS | MX27U | H3LMRS034164 | N/A | -- |
| | | | | J3LMRS000059 | | |
| C. | LCD Monitor | DELL | U2410 | CN082WXD-72872-0CR-06DL | Doc | -- |
| D. | HDD*2 | Toshiba | DTB305 | 45TGCNNST3ZB | N/A | -- |
| | | | | 45U6CMTJT3ZB | N/A | -- |
| E. | MICROPHONE | Labtec | LVA7313 | N/A | N/A | -- |
| F. | USB Mouse | DELL | MOCZUL | CN-049TWY-PRC00-79E-02FW | N/A | -- |
| G. | USB Keyboard | Dell | KB216t | CN-0W33XP-LO300-79R-OUG6-A03 | N/A | -- |
| H. | Notebook*4 | DELL | E6440 | 6QLNM32 | N/A | -- |
| | | | | FMLNM32 | N/A | -- |
| | | | | FNLNM32 | N/A | -- |
| | | | | G4QPM32 | N/A | -- |
| I. | Earphone | PHILIPS | SBC HL150 | N/A | N/A | -- |
| J. | High Performance System | Vecow | SPC-5600A | N/A | N/A | -- |

Note:

1. All power cords of the above support units are non-shielded (1.8m).
2. Items H acted as communication partners to transfer data.

| ID | Cable Descriptions | Qty. | Length (m) | Shielding (Yes/No) | Cores (Qty.) | Remarks |
|-----|--------------------|------|------------|--------------------|--------------|----------------------|
| 1. | DC Cable | 1 | 1.2 | N | 1 | Accessory of the EUT |
| 2. | Audio Cable | 1 | 1.2 | N | 0 | -- |
| 3. | I/O Cable | 1 | 0.3 | N | 0 | -- |
| 4. | Power Cord | 1 | 1.8 | N | 0 | -- |
| 5. | DP Cable | 1 | 1.8 | Y | 0 | -- |
| 6. | DVI Cable | 1 | 1.8 | Y | 2 | -- |
| 7. | USB Cable | 1 | 0.5 | Y | 0 | -- |
| 8. | USB Cable | 1 | 1.8 | Y | 0 | -- |
| 9. | Audio Cable | 1 | 1.5 | N | 0 | -- |
| 10. | USB Cable | 1 | 1.8 | Y | 0 | -- |
| 11. | LAN Cable | 1 | 10 | N | 0 | Cat5e |
| 12. | GND Cable | 1 | 1.5 | N | 0 | -- |

Note: The core(s)

Immunity tests:

| ID | Product | Brand | Model No. | Serial No. | FCC ID | Remarks |
|----|-------------------------|-----------|----------------------|--------------------------|--------|--------------------|
| A. | Terminal*4 | N/A | N/A | N/A | N/A | Provided by client |
| B. | Monitor | AOC | 240LM00016 | GKAJ5HA117767 | N/A | -- |
| | | Dell | U2414H 23.8" Monitor | CN-04CWX7-74261-47H-4N9L | | |
| C. | Monitor | HP | D7Q14A4 | CNC437015Q | N/A | -- |
| D. | HDD*2 | Transcend | TS1TSJ25MC | N/A | N/A | -- |
| E. | USB Drive*2 | Transcend | N/A | N/A | N/A | -- |
| F. | USB Mouse | Logitech | M100r | N/A | N/A | -- |
| G. | USB Keyboard | Logitech | K120 | N/A | N/A | -- |
| H. | Notebook*4 | DELL | Inspiron 15 3000 | JVXSD82 | N/A | -- |
| | | | | JBXSD82 | N/A | -- |
| | | | | 8WXSD82 | N/A | -- |
| | | | | HBXSD82 | N/A | -- |
| I. | Earphone | PHILIPS | SHM2100 | N/A | N/A | -- |
| J. | Earphone | ASUS | Cerberus | N/A | N/A | -- |
| K. | High Performance System | Vecow | SPC-5600A | N/A | N/A | -- |

Note:

1. All power cords of the above support units are non-shielded (1.8m).
2. Items H acted as communication partners to transfer data.

| ID | Descriptions | Qty. | Length (m) | Shielding (Yes/No) | Cores (Qty.) | Remarks |
|-----|--------------|------|------------|--------------------|--------------|----------------------|
| 1. | DC Cable | 1 | 1.2 | N | 1 | Accessory of the EUT |
| 2. | Audio Cable | 1 | 2 | N | 0 | -- |
| 3. | I/O Cable | 1 | 0.3 | N | 0 | Provided by client |
| 4. | Power Cord | 1 | 1.8 | N | 0 | -- |
| 5. | DP Cable | 1 | 1.8 | Y | 0 | -- |
| 6. | DVI Cable | 1 | 1.8 | Y | 2 | -- |
| 7. | USB Cable | 1 | 0.5 | Y | 0 | -- |
| 8. | USB Cable | 1 | 1.8 | Y | 0 | -- |
| 9. | Audio Cable | 1 | 1.25 | N | 0 | -- |
| 10. | USB Cable | 1 | 1.8 | Y | 0 | -- |
| 11. | LAN Cable | 1 | 10 | N | 0 | Cat5e |
| 12. | GND Cable | 1 | 1.5 | N | 0 | -- |
| 13. | LAN Cable | 1 | 3 | Y | 0 | Cat5e |

Note: The core(s) is(are) originally attached to the cable(s).

5 Conducted Disturbance at Mains Ports

5.1 Limits

| Frequency (MHz) | Class A (dBuV) | | Class B (dBuV) | |
|-----------------|----------------|---------|----------------|---------|
| | Quasi-peak | Average | Quasi-peak | Average |
| 0.15 - 0.5 | 79 | 66 | 66 - 56 | 56 - 46 |
| 0.50 - 5.0 | 73 | 60 | 56 | 46 |
| 5.0 - 30.0 | 73 | 60 | 60 | 50 |

Notes: 1. The lower limit shall apply at the transition frequencies.

2. The limit decreases linearly with the logarithm of the frequency in the range of 0.15 to 0.50 MHz.

5.2 Test Instruments

| Description & Manufacturer | Model No. | Serial No. | Cal. Date | Cal. Due |
|---|--------------------------|----------------|---------------|---------------|
| Test Receiver ROHDE & SCHWARZ | ESR3 | 102412 | Feb. 14, 2019 | Feb. 13, 2020 |
| RF signal cable (with 10dB PAD) Woken | 5D-FB | Cable-cond2-01 | Sep. 05, 2018 | Sep. 04, 2019 |
| AMN ROHDE & SCHWARZ (EUT) | ESH2-Z5 | 100100 | Jan. 30, 2019 | Jan. 29, 2020 |
| AMN ROHDE & SCHWARZ (Peripheral) | ESH3-Z5 | 100312 | Aug. 13, 2018 | Aug. 12, 2019 |
| Software ADT | BV ADT_Cond_ V7.3.7.4 | NA | NA | NA |

Notes: 1. The calibration interval of the above test instruments is 12 months and the calibrations are traceable to NML/ROC and NIST/USA.

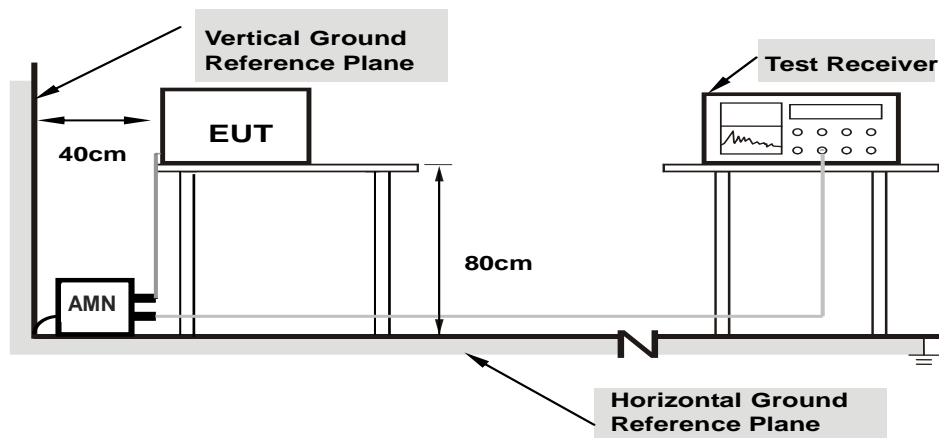
2. The test was performed in HwaYa Shielded Room 1.

3. The VCCI Site Registration No. is C-12040.

5.3 Test Arrangement

- The EUT was placed 0.4 meters from the conducting wall of the shielded room with EUT being connected to the power mains through an Artificial Mains Network (AMN). Other support units were connected to the power mains through another AMN. The two AMNs provide 50 Ohm/ 50 uH of coupling impedance for the measuring instrument.
- Both lines of the power mains connected to the EUT were checked for maximum conducted interference.
- The test results of conducted emissions at mains ports are recorded of six worst margins for quasi-peak (mandatory) [and average (if necessary)] values against the limits at frequencies of interest unless the margin is 20 dB or greater.

Note: The resolution bandwidth and video bandwidth of test receiver is 9 kHz for quasi-peak detection (QP) and average detection (AV) at frequency 0.15 MHz – 30 MHz.



- Note:
- Support units were connected to second AMN.
 - The distance specified between EUT/AE and other metallic objects is ≥ 0.8 m in the measurement arrangement for table-top EUT.
 - According to EN 55032 standard, cables on the RGP must be insulated.

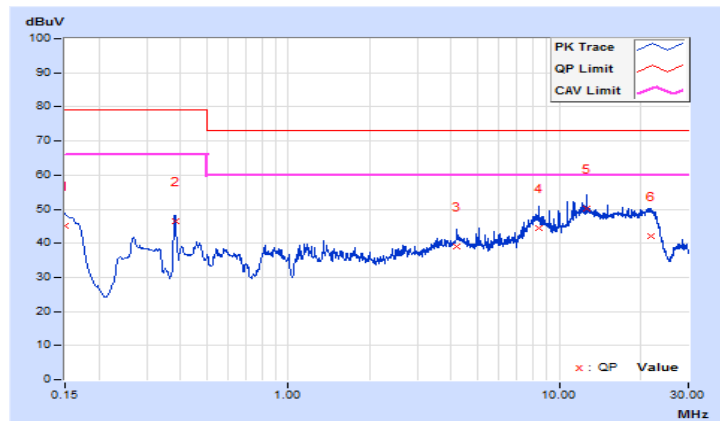
5.4 Test Results

| | | | |
|-----------------|----------------|-------------------------------|--------------------------------------|
| Frequency Range | 150kHz ~ 30MHz | Detector Function & Bandwidth | Quasi-Peak (QP) / Average (AV), 9kHz |
| Input Power | 230Vac, 50Hz | Environmental Conditions | 26°C, 72%RH |
| Tested by | Pon Tsai | Test Date | 2019/7/23 |
| Test Mode | Mode 1 | | |

| Phase Of Power : Line (L) | | | | | | | | | | |
|---------------------------|-----------------|------------------------|----------------------|--------------|-----------------------|--------------|--------------|--------------|---------------|---------------|
| No | Frequency (MHz) | Correction Factor (dB) | Reading Value (dBuV) | | Emission Level (dBuV) | | Limit (dBuV) | | Margin (dB) | |
| | | | Q.P. | AV. | Q.P. | AV. | Q.P. | AV. | Q.P. | AV. |
| 1 | 0.15000 | 10.07 | 34.90 | 28.39 | 44.97 | 38.46 | 79.00 | 66.00 | -34.03 | -27.54 |
| 2 | 0.38175 | 10.07 | 36.35 | 36.10 | 46.42 | 46.17 | 79.00 | 66.00 | -32.58 | -19.83 |
| 3 | 4.20665 | 10.15 | 28.92 | 26.25 | 39.07 | 36.40 | 73.00 | 60.00 | -33.93 | -23.60 |
| 4 | 8.41200 | 10.24 | 34.30 | 31.75 | 44.54 | 41.99 | 73.00 | 60.00 | -28.46 | -18.01 |
| 5 | 12.59250 | 10.34 | 39.78 | 36.46 | 50.12 | 46.80 | 73.00 | 60.00 | -22.88 | -13.20 |
| 6 | 21.81300 | 10.48 | 31.64 | 22.85 | 42.12 | 33.33 | 73.00 | 60.00 | -30.88 | -26.67 |

Remarks:

1. Q.P. and AV. are abbreviations of quasi-peak and average individually.
2. The emission levels of other frequencies were very low against the limit.
3. Margin value = Emission level – Limit value
4. Correction factor = Insertion loss + Cable loss
5. Emission Level = Correction Factor + Reading Value

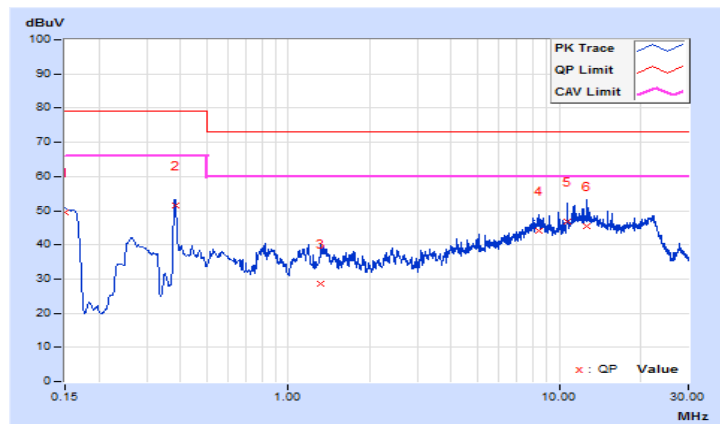


| | | | |
|-----------------|----------------|-------------------------------|--------------------------------------|
| Frequency Range | 150kHz ~ 30MHz | Detector Function & Bandwidth | Quasi-Peak (QP) / Average (AV), 9kHz |
| Input Power | 230Vac, 50Hz | Environmental Conditions | 26°C, 72%RH |
| Tested by | Pon Tsai | Test Date | 2019/7/23 |
| Test Mode | Mode 1 | | |

| Phase Of Power : Neutral (N) | | | | | | | | | | |
|------------------------------|-----------------|------------------------|----------------------|-------|-----------------------|-------|--------------|-------|-------------|--------|
| No | Frequency (MHz) | Correction Factor (dB) | Reading Value (dBuV) | | Emission Level (dBuV) | | Limit (dBuV) | | Margin (dB) | |
| | | | Q.P. | AV. | Q.P. | AV. | Q.P. | AV. | Q.P. | AV. |
| 1 | 0.15000 | 10.12 | 39.54 | 30.55 | 49.66 | 40.67 | 79.00 | 66.00 | -29.34 | -25.33 |
| 2 | 0.38260 | 10.13 | 41.54 | 41.40 | 51.67 | 51.53 | 79.00 | 66.00 | -27.33 | -14.47 |
| 3 | 1.31991 | 10.14 | 18.33 | 4.58 | 28.47 | 14.72 | 73.00 | 60.00 | -44.53 | -45.28 |
| 4 | 8.41200 | 10.35 | 33.65 | 30.76 | 44.00 | 41.11 | 73.00 | 60.00 | -29.00 | -18.89 |
| 5 | 10.70475 | 10.41 | 36.36 | 33.59 | 46.77 | 44.00 | 73.00 | 60.00 | -26.23 | -16.00 |
| 6 | 12.61275 | 10.47 | 34.98 | 27.64 | 45.45 | 38.11 | 73.00 | 60.00 | -27.55 | -21.89 |

Remarks:

1. Q.P. and AV. are abbreviations of quasi-peak and average individually.
2. The emission levels of other frequencies were very low against the limit.
3. Margin value = Emission level – Limit value
4. Correction factor = Insertion loss + Cable loss
5. Emission Level = Correction Factor + Reading Value

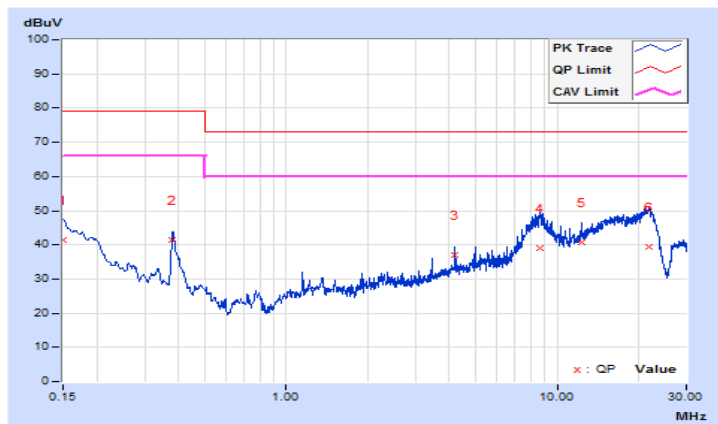


| | | | |
|-----------------|----------------|-------------------------------|--------------------------------------|
| Frequency Range | 150kHz ~ 30MHz | Detector Function & Bandwidth | Quasi-Peak (QP) / Average (AV), 9kHz |
| Input Power | 110Vac, 60Hz | Environmental Conditions | 26°C, 72%RH |
| Tested by | Pon Tsai | Test Date | 2019/7/23 |
| Test Mode | Mode 1 | | |

| Phase Of Power : Line (L) | | | | | | | | | | |
|---------------------------|-----------------|------------------------|----------------------|-------|-----------------------|-------|--------------|-------|-------------|--------|
| No | Frequency (MHz) | Correction Factor (dB) | Reading Value (dBuV) | | Emission Level (dBuV) | | Limit (dBuV) | | Margin (dB) | |
| | | | Q.P. | AV. | Q.P. | AV. | Q.P. | AV. | Q.P. | AV. |
| 1 | 0.15000 | 10.07 | 31.45 | 24.27 | 41.52 | 34.34 | 79.00 | 66.00 | -37.48 | -31.66 |
| 2 | 0.38160 | 10.07 | 31.34 | 30.57 | 41.41 | 40.64 | 79.00 | 66.00 | -37.59 | -25.36 |
| 3 | 4.20900 | 10.15 | 27.02 | 25.90 | 37.17 | 36.05 | 73.00 | 60.00 | -35.83 | -23.95 |
| 4 | 8.66400 | 10.24 | 28.95 | 18.09 | 39.19 | 28.33 | 73.00 | 60.00 | -33.81 | -31.67 |
| 5 | 12.27525 | 10.33 | 30.43 | 25.84 | 40.76 | 36.17 | 73.00 | 60.00 | -32.24 | -23.83 |
| 6 | 21.88500 | 10.48 | 28.85 | 17.17 | 39.33 | 27.65 | 73.00 | 60.00 | -33.67 | -32.35 |

Remarks:

1. Q.P. and AV. are abbreviations of quasi-peak and average individually.
2. The emission levels of other frequencies were very low against the limit.
3. Margin value = Emission level – Limit value
4. Correction factor = Insertion loss + Cable loss
5. Emission Level = Correction Factor + Reading Value

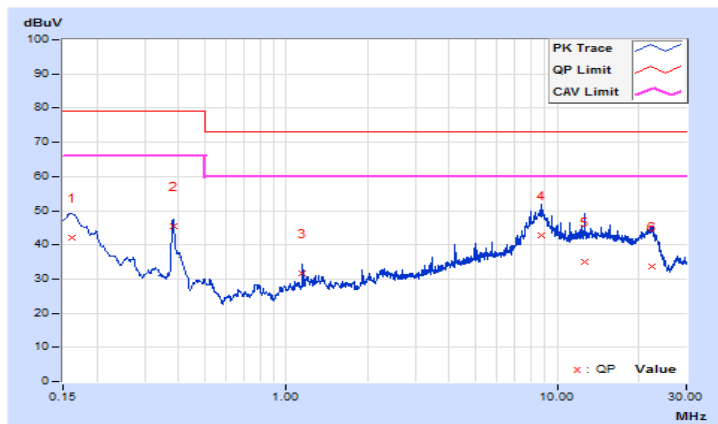


| | | | |
|-----------------|----------------|-------------------------------|--------------------------------------|
| Frequency Range | 150kHz ~ 30MHz | Detector Function & Bandwidth | Quasi-Peak (QP) / Average (AV), 9kHz |
| Input Power | 110Vac, 60Hz | Environmental Conditions | 26°C, 72%RH |
| Tested by | Pon Tsai | Test Date | 2019/7/23 |
| Test Mode | Mode 1 | | |

| Phase Of Power : Neutral (N) | | | | | | | | | | |
|------------------------------|-----------------|------------------------|----------------------|-------|-----------------------|-------|--------------|-------|-------------|--------|
| No | Frequency (MHz) | Correction Factor (dB) | Reading Value (dBuV) | | Emission Level (dBuV) | | Limit (dBuV) | | Margin (dB) | |
| | | | Q.P. | AV. | Q.P. | AV. | Q.P. | AV. | Q.P. | AV. |
| 1 | 0.16093 | 10.12 | 31.88 | 28.28 | 42.00 | 38.40 | 79.00 | 66.00 | -37.00 | -27.60 |
| 2 | 0.38260 | 10.13 | 35.48 | 35.05 | 45.61 | 45.18 | 79.00 | 66.00 | -33.39 | -20.82 |
| 3 | 1.14754 | 10.14 | 21.44 | 20.38 | 31.58 | 30.52 | 73.00 | 60.00 | -41.42 | -29.48 |
| 4 | 8.79675 | 10.36 | 32.38 | 28.89 | 42.74 | 39.25 | 73.00 | 60.00 | -30.26 | -20.75 |
| 5 | 12.61275 | 10.47 | 24.70 | 18.66 | 35.17 | 29.13 | 73.00 | 60.00 | -37.83 | -30.87 |
| 6 | 22.47000 | 10.61 | 22.92 | 13.34 | 33.53 | 23.95 | 73.00 | 60.00 | -39.47 | -36.05 |

Remarks:

1. Q.P. and AV. are abbreviations of quasi-peak and average individually.
2. The emission levels of other frequencies were very low against the limit.
3. Margin value = Emission level – Limit value
4. Correction factor = Insertion loss + Cable loss
5. Emission Level = Correction Factor + Reading Value



6 Asymmetric Mode Conducted Emission at Wired Network Ports

6.1 Limits

| Class A | | | | | |
|-----------------|-----------------------|----------------------|---------|-----------------------|---------|
| Frequency (MHz) | Coupling Device | Voltage Limit (dBuV) | | Current limits (dBuA) | |
| | | Quasi-peak | Average | Quasi-peak | Average |
| 0.15-0.5 | AAN | 97-87 | 84-74 | - | - |
| 0.5-30 | | 87 | 74 | - | - |
| 0.15-0.5 | CVP and Current probe | 97-87 | 84-74 | 53-43 | 40-30 |
| 0.5-30 | | 87 | 74 | 43 | 30 |
| 0.15-0.5 | Current Probe | - | - | 53-43 | 40-30 |
| 0.5-30 | | - | - | 43 | 30 |
| Class B | | | | | |
| Frequency (MHz) | Coupling Device | Voltage Limit (dBuV) | | Current limits (dBuA) | |
| | | Quasi-peak | Average | Quasi-peak | Average |
| 0.15-0.5 | AAN | 84-74 | 74-64 | - | - |
| 0.5-30 | | 74 | 64 | - | - |
| 0.15-0.5 | CVP and Current probe | 84-74 | 74-64 | 40-30 | 30-20 |
| 0.5-30 | | 74 | 64 | 30 | 20 |
| 0.15-0.5 | Current Probe | - | - | 40-30 | 30-20 |
| 0.5-30 | | - | - | 30 | 20 |

Note: The limits decrease linearly with the logarithm of the frequency in the range 0.15 MHz to 0.5 MHz.

6.2 Test Instruments

| Description & Manufacturer | Model No. | Serial No. | Cal. Date | Cal. Due |
|--|--------------------------|----------------|---------------|---------------|
| Test Receiver ROHDE & SCHWARZ | ESR3 | 102412 | Feb. 14, 2019 | Feb. 13, 2020 |
| RF signal cable Woken | 5D-FB | Cable-cond2-01 | Sep. 05, 2018 | Sep. 04, 2019 |
| AMN ROHDE & SCHWARZ (EUT) | ESH2-Z5 | 100100 | Jan. 30, 2019 | Jan. 29, 2020 |
| AMN ROHDE & SCHWARZ (Peripheral) | ESH3-Z5 | 100312 | Aug. 13, 2019 | Aug. 12, 2020 |
| Software ADT | BV ADT_Cond_ V7.3.7.4 | NA | NA | NA |
| AAN | FCC-TLISN-T2-02-09 | 091393 | Dec. 22, 2018 | Dec. 21, 2019 |
| AAN | F-071115-1057-1-09 | 120033 | May 09, 2019 | May 08, 2020 |
| Capacitive Voltage Probe | F-CVP-1 | 82 | Jul. 22, 2019 | Jul. 21, 2020 |
| RF Current Probe | F-33-4 | 45 | Mar. 08, 2019 | Mar. 07, 2020 |
| Impedance-stabilization- network TESEQ | ISN ST08 | 41211 | Aug. 26, 2019 | Aug. 25, 2020 |
| Impedance-stabilization- network TESEQ | ISN S751 | 40600 | Aug. 26, 2019 | Aug. 25, 2020 |

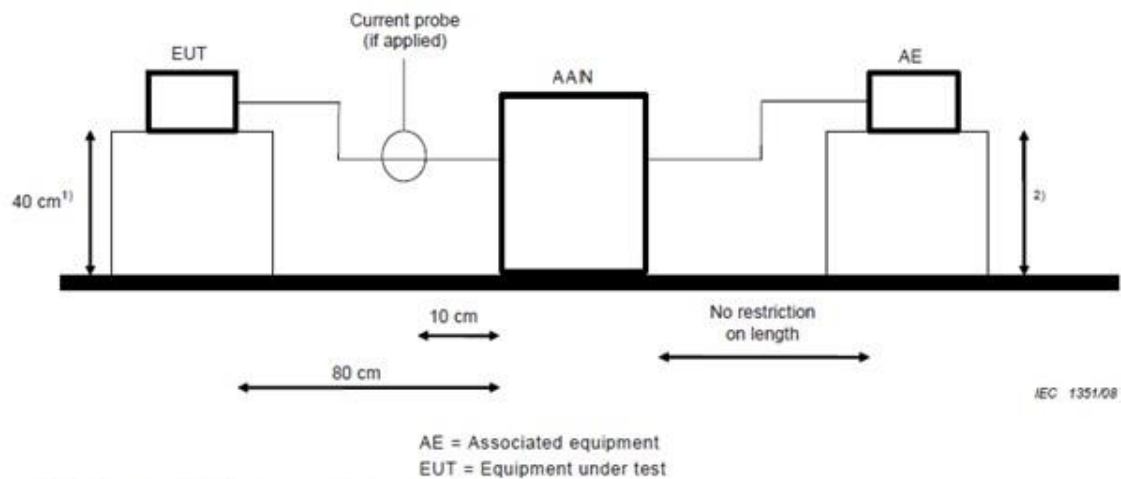
- Notes: 1. The calibration interval of the above test instruments is 12 months and the calibrations are traceable to NML/ROC and NIST/USA.
2. The test was performed in HwaYa Shielded Room 2.
3. The VCCI Site Registration No. is T-11654.

6.3 Test Arrangement

Method of Using AANs:

- The EUT is placed 0.4 meters from the conducting wall of the shielded room and connected to AAN directly to reference ground plane.
- If voltage measurement is used, measure voltage at the measurement port of the AAN, correct the reading by adding the AAN voltage division factor, and compare to the voltage limit.
- If current measurement is used, measure current with the current probe and compare to the current limit. A 50 Ω load has to be connected to the measurement port of the AAN during the current measurement.
- It is not necessary to apply the voltage and the current limit if a AAN is used.
- The test results of disturbance at wired network ports are recorded of six worst margins for quasi-peak (mandatory) [and average (if necessary)] values against the limits at frequencies of interest unless the margin is 20 dB or greater.

Note: The resolution bandwidth and video bandwidth of test receiver is 9 kHz for quasi-peak detection (QP) and average detection (AV) at frequency 0.15 MHz – 30 MHz.

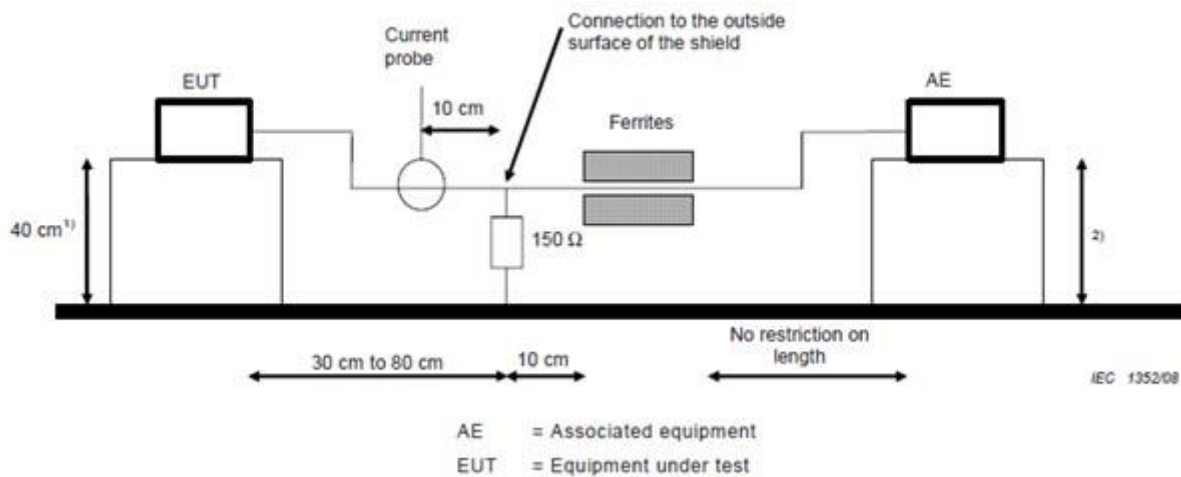


- Note:
- Distance to the reference ground plane (vertical or horizontal).
 - Distance to the reference ground plane is not critical.
 - According to EN 55032 standard, cables on the RGP must be insulated.

Method of Using a 150 Ω load to the outside surface of the shield:

- Break the insulation and connect a 150 Ω resistor from the outside surface of the shield to ground.
- Apply a clamp between 150 Ω connection and associated equipment.
- Current probe shall be placed at 0.1 m from the AAN.
- Measure current with a current probe and compare to the current limit.
- Voltage measurement is also possible either in parallel with the 150 Ω resistor with a high impedance probe. (only for a high impedance probe applied, replaced d. if this is the case)
- Voltage measurement by using a "50 Ω to 150 Ω adaptor" described in IEC 61000-4-6 as 150 Ω load, and applying the appropriate correction factor (9,6 dB in case of the "50 Ω to 150 Ω adaptor"). (only for 50 Ω to 150 Ω adaptor applied, replaced d. if this is the case.)
- The test results of disturbance at telecommunication ports are recorded of six worst margins for quasi-peak (mandatory) [and average (if necessary)] values against the limits at frequencies of interest unless the margin is 20 dB or greater.

Note: The resolution bandwidth and video bandwidth of test receiver is 9 kHz for quasi-peak detection (QP) and average detection (AV) at frequency 0.15 MHz - 30 MHz.

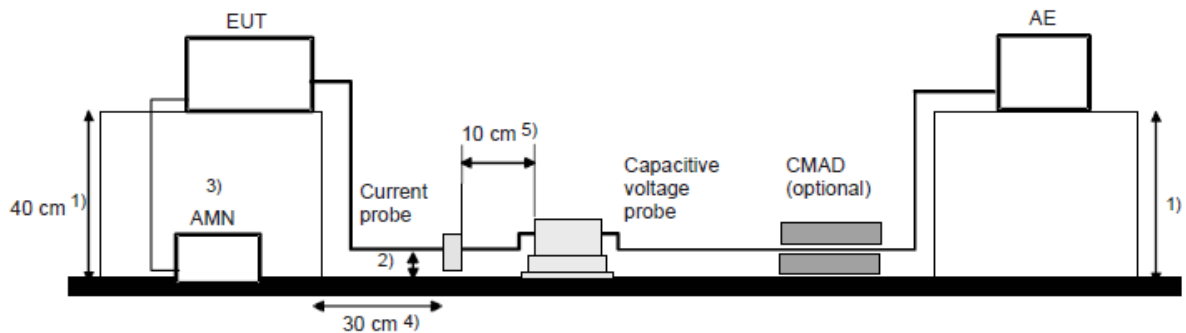


- Note:
- Distance to the reference ground plane (vertical or horizontal).
 - Distance to the reference ground plane is not critical.
 - According to EN 55032 standard, cables on the RGP must be insulated.

Method of Using a combination of current probe and capacitive voltage probe:

- a. Measure current with a current probe.
- b. Compare the measured current with the applicable current limit.
- c. Measure voltage with a capacitive probe as specified in 5.2.2 of CISPR 16-1-2.
- d. Adjust the measured voltage as follows:
 - current margin ≤ 6 dB – subtract the actual current margin from measured voltage;
 - current margin > 6 dB – subtract 6 dB from measured voltage.
- e. Compare adjusted voltage with the applicable voltage limit
- f. Both the measured current and the adjusted voltage shall be below the applicable
- g. The test results of disturbance at telecommunication ports are recorded of six worst margins for quasi-peak (mandatory) [and average (if necessary)] values against the limits at frequencies of interest unless the margin is 20 dB or greater.

Note: The resolution bandwidth and video bandwidth of test receiver is 9 kHz for quasi-peak detection (QP) and average detection (AV) at frequency 0.15 MHz – 30 MHz.



IEC 1353/08

AE = Associated equipment
 EUT = Equipment under test
 CMAD = Common mode Absorbing Device

Note: 1. According to EN 55032 standard, cables on the RGP must be insulated.

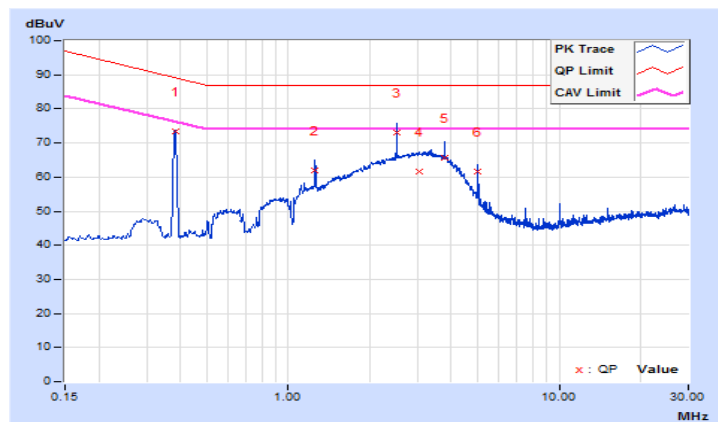
6.4 Test Results

| | | | |
|-----------------|--|-------------------------------|--------------------------------------|
| Frequency Range | 150kHz ~ 30MHz | Detector Function & Bandwidth | Quasi-Peak (QP) / Average (AV), 9kHz |
| Input Power | 230Vac, 50Hz | Environmental Conditions | 24°C, 63%RH |
| Tested by | Jim Lee | Test Date | 2019/8/29 |
| Test Mode | Mode 1: LAN 1 port with AAN (1Gbps, Traffic) | | |

| No | Frequency (MHz) | Correction Factor (dB) | Reading Value (dBuV) | | Emission Level (dBuV) | | Limit (dBuV) | | Margin (dB) | |
|----------|-----------------|------------------------|----------------------|--------------|-----------------------|--------------|--------------|--------------|---------------|--------------|
| | | | Q.P. | AV. | Q.P. | AV. | Q.P. | AV. | Q.P. | AV. |
| 1 | 0.38260 | 9.44 | 63.84 | 63.69 | 73.28 | 73.13 | 89.22 | 76.22 | -15.94 | -3.09 |
| 2 | 1.25700 | 9.23 | 52.60 | 52.14 | 61.83 | 61.37 | 87.00 | 74.00 | -25.17 | -12.63 |
| 3 | 2.51375 | 9.14 | 63.94 | 63.63 | 73.08 | 72.77 | 87.00 | 74.00 | -13.92 | -1.23 |
| 4 | 3.04125 | 9.13 | 52.65 | 35.53 | 61.78 | 44.66 | 87.00 | 74.00 | -25.22 | -29.34 |
| 5 | 3.77150 | 9.12 | 56.54 | 54.78 | 65.66 | 63.90 | 87.00 | 74.00 | -21.34 | -10.10 |
| 6 | 5.02800 | 9.13 | 52.42 | 51.84 | 61.55 | 60.97 | 87.00 | 74.00 | -25.45 | -13.03 |

Remarks:

1. Q.P. and AV. are abbreviations of quasi-peak and average individually.
2. The emission levels of other frequencies were very low against the limit.
3. Margin value = Emission level – Limit value
4. Correction factor = Insertion loss + Cable loss
5. Emission Level = Correction Factor + Reading Value

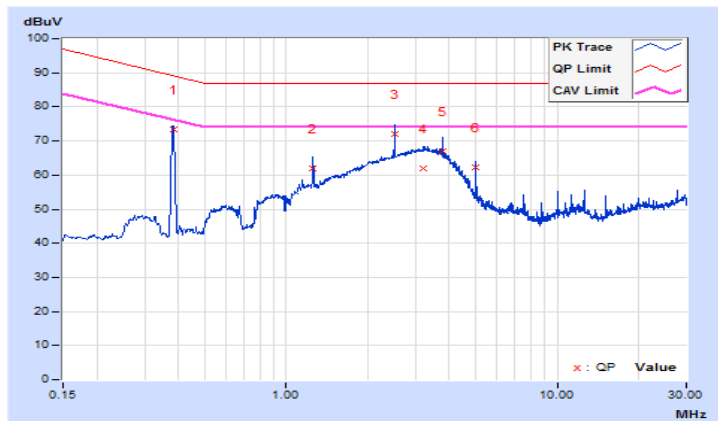


| | | | |
|-----------------|--|-------------------------------|--------------------------------------|
| Frequency Range | 150kHz ~ 30MHz | Detector Function & Bandwidth | Quasi-Peak (QP) / Average (AV), 9kHz |
| Input Power | 230Vac, 50Hz | Environmental Conditions | 24°C, 63%RH |
| Tested by | Jim Lee | Test Date | 2019/8/29 |
| Test Mode | Mode 1: LAN 4 port with AAN (1Gbps, Traffic) | | |

| No | Frequency (MHz) | Correction Factor (dB) | Reading Value (dBuV) | | Emission Level (dBuV) | | Limit (dBuV) | | Margin (dB) | |
|----|-----------------|------------------------|----------------------|-------|-----------------------|-------|--------------|-------|-------------|--------|
| | | | Q.P. | AV. | Q.P. | AV. | Q.P. | AV. | Q.P. | AV. |
| 1 | 0.38260 | 9.44 | 63.94 | 63.76 | 73.38 | 73.20 | 89.22 | 76.22 | -15.84 | -3.02 |
| 2 | 1.25700 | 9.23 | 52.67 | 52.27 | 61.90 | 61.50 | 87.00 | 74.00 | -25.10 | -12.50 |
| 3 | 2.51350 | 9.14 | 63.04 | 62.64 | 72.18 | 71.78 | 87.00 | 74.00 | -14.82 | -2.22 |
| 4 | 3.22125 | 9.13 | 52.81 | 36.44 | 61.94 | 45.57 | 87.00 | 74.00 | -25.06 | -28.43 |
| 5 | 3.76925 | 9.12 | 57.73 | 56.16 | 66.85 | 65.28 | 87.00 | 74.00 | -20.15 | -8.72 |
| 6 | 5.02675 | 9.13 | 53.21 | 52.56 | 62.34 | 61.69 | 87.00 | 74.00 | -24.66 | -12.31 |

Remarks:

1. Q.P. and AV. are abbreviations of quasi-peak and average individually.
2. The emission levels of other frequencies were very low against the limit.
3. Margin value = Emission level – Limit value
4. Correction factor = Insertion loss + Cable loss
5. Emission Level = Correction Factor + Reading Value



7 Radiated Disturbance up to 1 GHz

7.1 Limits

| Frequency (MHz) | Class A (at 10 m) | Class B (at 10 m) |
|-----------------|-------------------|-------------------|
| | dBuV/m | dBuV/m |
| 30 - 230 | 40 | 30 |
| 230 - 1000 | 47 | 37 |

Notes:

1. The lower limit shall apply at the transition frequencies.
2. Emission level (dBuV/m) = 20 log Emission level (uV/m).
3. All emanations from a class A/B digital device or system, including any network of conductors and apparatus connected thereto, shall not exceed the level of field strengths specified above.

7.2 Test Instruments

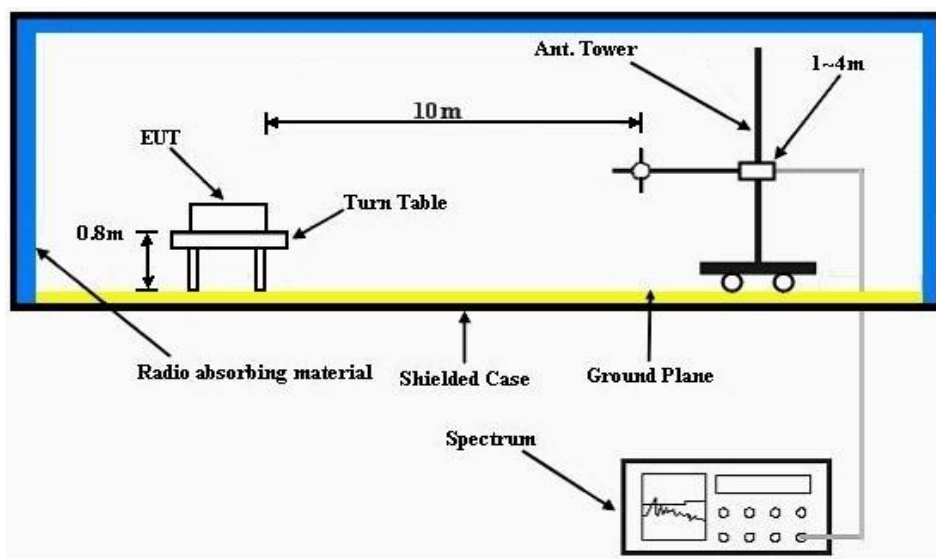
| Description & Manufacturer | Model No. | Serial No. | Cal. Date | Cal. Due |
|--|----------------------------------|------------------------|---------------|---------------|
| Test Receiver ROHDE & SCHWARZ (V) | ESR | 101240 | Oct. 30, 2018 | Oct. 29, 2019 |
| Test Receiver ROHDE & SCHWARZ (H) | ESR | 101264 | Apr. 10, 2019 | Apr. 09, 2020 |
| BILOG Antenna SCHWARZBECK (V) | VULB9168 | 9168-148 | Nov. 20, 2018 | Nov. 19, 2019 |
| BILOG Antenna SCHWARZBECK (H) | VULB9168 | 9168-156 | Nov. 20, 2018 | Nov. 19, 2019 |
| Preamplifier Sonoma (V) | 310N | 352924 | Jun. 11, 2019 | Jun. 10, 2020 |
| Preamplifier Sonoma (H) | 310N | 352923 | Jun. 11, 2019 | Jun. 10, 2020 |
| RF signal cable (with 5dB PAD) Times (V) | LMR-600 (18M) +LMR- 400 (7M) | CABLE-CH1 (VER) -01 | Oct. 03, 2018 | Oct. 02, 2019 |
| RF signal cable (with 5dB PAD) Times (H) | LMR-600 (11.8M) +LMR-400 (7M) | CABLE-CH1 (HOR) -01 | Oct. 03, 2018 | Oct. 02, 2019 |
| Software BV ADT | BV ADT_Radiated_ V8.7.08 | NA | NA | NA |
| Antenna Tower (V) | MFA-440 | 9707 | NA | NA |
| Antenna Tower (H) | MFA-440 | 970705 | NA | NA |
| Turn Table | DS430 | 50303 | NA | NA |
| Controller (V) | MF7802 | 074 | NA | NA |
| Controller (H) | MF7802 | 08093 | NA | NA |

- Notes: 1. The calibration interval of the above test instruments is 12 months and the calibrations are traceable to NML/ROC and NIST/USA.
2. The test was performed in HwaYa Chamber 1.
3. The VCCI Site Registration No. is R-11893.

7.3 Test Arrangement

- The EUT was placed on the top of a rotating table 0.8 meters above the ground at an accredited test facility. The table was rotated 360 degrees to determine the position of the highest radiation.
- The EUT was set 10 meters away from the interference-receiving antenna, which was mounted on the top of a variable-height antenna tower.
- The antenna is a broadband antenna, and its height is varied from one meter to four meters above the ground to determine the maximum value of the field strength. Both horizontal and vertical polarizations of the antenna are set to make the measurement.
- For each suspected emission, the EUT was arranged to its worst case and then the antenna was tuned to heights from 1 meter to 4 meters and the rotatable table was turned from 0 degrees to 360 degrees to find the maximum reading.
- The test-receiver system was set to quasi-peak detect function and specified bandwidth with maximum hold mode when the test frequency is up to 1 GHz.

Note: The resolution bandwidth and video bandwidth of test receiver/spectrum analyzer is 120 kHz for quasi-peak detection (QP) at frequency up to 1 GHz.



Note: According to EN 55032 standard, cables on the RGP must be insulated.

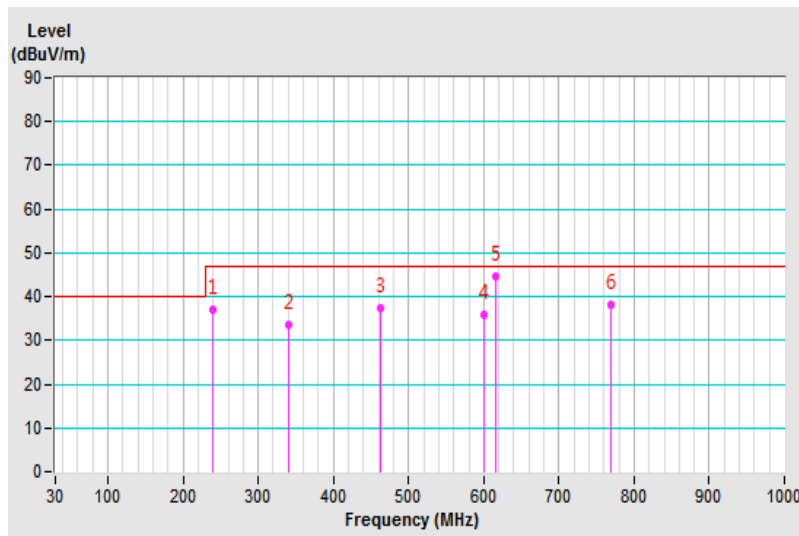
7.4 Test Results

| | | | |
|-----------------|--------------|-------------------------------|-------------------------|
| Frequency Range | 30MHz ~ 1GHz | Detector Function & Bandwidth | Quasi-Peak (QP), 120kHz |
| Tested by | Mick Chou | Environmental Conditions | 27°C, 65%RH |
| Test Mode | Mode 1 | Test Date | 2019/7/23 |

| Antenna Polarity & Test Distance : Horizontal at 10 m | | | | | | | | |
|---|-----------------|-------------------------|----------------|-------------|--------------------|----------------------|------------------|--------------------------|
| No | Frequency (MHz) | Emission Level (dBuV/m) | Limit (dBuV/m) | Margin (dB) | Antenna Height (m) | Table Angle (Degree) | Raw Value (dBuV) | Correction Factor (dB/m) |
| 1 | 239.97 | 36.91 QP | 47.00 | -10.09 | 4.00 H | 303 | 50.96 | -14.05 |
| 2 | 340.32 | 33.65 QP | 47.00 | -13.35 | 2.50 H | 119 | 44.40 | -10.75 |
| 3 | 462.01 | 37.48 QP | 47.00 | -9.52 | 2.00 H | 244 | 44.45 | -6.97 |
| 4 | 600.00 | 35.78 QP | 47.00 | -11.22 | 2.00 H | 6 | 40.81 | -5.03 |
| 5 | 616.01 | 44.43 QP | 47.00 | -2.57 | 1.50 H | 128 | 49.22 | -4.79 |
| 6 | 770.00 | 38.14 QP | 47.00 | -8.86 | 1.50 H | 308 | 41.60 | -3.46 |

Remarks:

1. Emission Level(dBuV/m) = Raw Value(dBuV) + Correction Factor(dB/m)
2. Correction Factor(dB/m) = Antenna Factor (dB/m) + Cable Factor (dB) – Pre-Amplifier Factor (dB)
3. The other emission levels were very low against the limit.
4. Margin value = Emission level – Limit value

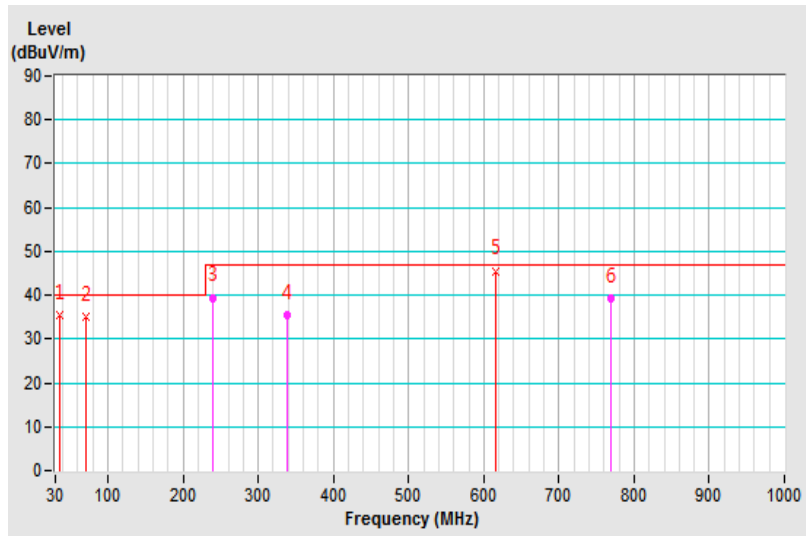


| | | | |
|-----------------|--------------|-------------------------------|-------------------------|
| Frequency Range | 30MHz ~ 1GHz | Detector Function & Bandwidth | Quasi-Peak (QP), 120kHz |
| Tested by | Mick Chou | Environmental Conditions | 27°C, 65%RH |
| Test Mode | Mode 1 | Test Date | 2019/7/23 |

| Antenna Polarity & Test Distance : Vertical at 10 m | | | | | | | | |
|---|-----------------|-------------------------|----------------|--------------|--------------------|----------------------|------------------|--------------------------|
| No | Frequency (MHz) | Emission Level (dBuV/m) | Limit (dBuV/m) | Margin (dB) | Antenna Height (m) | Table Angle (Degree) | Raw Value (dBuV) | Correction Factor (dB/m) |
| 1 | 35.19 | 35.49 QP | 40.00 | -4.51 | 2.00 V | 262 | 50.24 | -14.75 |
| 2 | 71.46 | 35.11 QP | 40.00 | -4.89 | 4.00 V | 82 | 50.71 | -15.60 |
| 3 | 239.97 | 39.45 QP | 47.00 | -7.55 | 1.00 V | 357 | 53.25 | -13.80 |
| 4 | 337.80 | 35.53 QP | 47.00 | -11.47 | 1.00 V | 227 | 46.39 | -10.86 |
| 5 | 615.99 | 45.53 QP | 47.00 | -1.47 | 3.00 V | 129 | 49.69 | -4.16 |
| 6 | 770.00 | 39.09 QP | 47.00 | -7.91 | 3.50 V | 346 | 41.25 | -2.16 |

Remarks:

1. Emission Level(dBuV/m) = Raw Value(dBuV) + Correction Factor(dB/m)
2. Correction Factor(dB/m) = Antenna Factor (dB/m) + Cable Factor (dB) – Pre-Amplifier Factor (dB)
3. The other emission levels were very low against the limit.
4. Margin value = Emission level – Limit value



8 Radiated Disturbance above 1 GHz

8.1 Limits

| Frequency (GHz) | Class A (dBuV/m) (at 3 m) | | Class B (dBuV/m) (at 3 m) | |
|-----------------|---------------------------|------|---------------------------|------|
| | Average | Peak | Average | Peak |
| 1 to 3 | 56 | 76 | 50 | 70 |
| 3 to 6 | 60 | 80 | 54 | 74 |

Notes:

1. The lower limit shall apply at the transition frequencies.
2. Emission level (dBuV/m) = 20 log Emission level (uV/m).
3. All emanations from a class A/B digital device or system, including any network of conductors and apparatus connected thereto, shall not exceed the level of field strengths specified above.

Frequency Range (For unintentional radiators)

| Highest frequency generated or used in the EUT or on which the EUT operates or tunes (MHz) | Upper frequency of measurement range (MHz) |
|--|--|
| Below 108 | 1000 |
| 108-500 | 2000 |
| 500-1000 | 5000 |
| Above 1000 | Up to 5 times of the highest frequency or 6 GHz, whichever is less |

8.2 Test Instruments

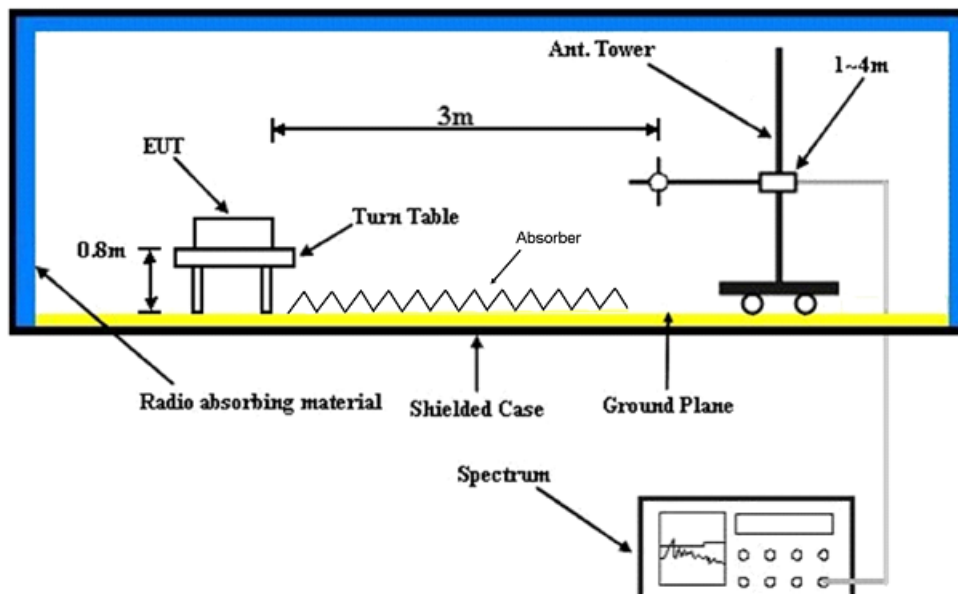
| Description & Manufacturer | Model No. | Serial No. | Cal. Date | Cal. Due |
|--|-------------------------------|---|---------------|---------------|
| Test Receiver ROHDE & SCHWARZ (Above 1GHz) | ESR7 | 101471 | Mar. 07, 2019 | Mar. 06, 2020 |
| Spectrum Analyzer Agilent | E4446A | MY51100039 | Sep. 10, 2018 | Sep. 09, 2019 |
| RF signal cable (with 5dB PAD) Times | LMR-400 (18M) | CABLE-CH2-01 | Mar. 25, 2019 | Mar. 24, 2020 |
| HORN Antenna (with 4dB PAD) SCHWARZBECK | BBHA 9120 D | 9120D-405 | Nov. 25, 2018 | Nov. 24, 2019 |
| Pre-Amplifier Agilent (Above 1GHz) | 8449B | 3008A01961 | Oct. 15, 2018 | Oct. 14, 2019 |
| RF Coaxial Cable JUNFLON+EMC | JUNFLON+EMC104- SM-SM-6000 | Cable-CH2- 02(MWX3221308G003+ 130710) | Jun. 11, 2019 | Jun. 10, 2020 |
| Software BV ADT | BV ADT_Radiated_ V8.7.08 | NA | NA | NA |
| Antenna Tower BV ADT | AT100 | AT93021702 | NA | NA |
| Turn Table BV ADT | TT100 | TT93021702 | NA | NA |
| Controller BV ADT | SC100 | SC93021702 | NA | NA |
| RF Coaxial Cable EMCI | EMC102-KM-KM-1000 | 170819 | Dec. 21, 2018 | Dec. 20, 2019 |
| RF Coaxial Cable Rosnol | K1K50-UP0279- K1K50-3000 | 181129-1 | Dec. 21, 2018 | Dec. 20, 2019 |

- Notes: 1. The calibration interval of the above test instruments is 12 months and the calibrations are traceable to NML/ROC and NIST/USA.
2. The 3 dB beamwidth of the horn antenna is minimum 30 degree (or $w = 1.6$ m at 3 m distance) for 1~6 GHz.
3. The test was performed in HwaYa Chamber 2.
4. The VCCI Site Registration No. is G-10018.

8.3 Test Arrangement

- The EUT was placed on the top of a rotating table 0.8 meters above the ground at an accredited chamber room. The table was rotated 360 degrees to determine the position of the highest radiation.
- The EUT was set 3 meters away from the interference-receiving antenna, which was mounted on the top of a variable-height antenna tower.
- The height of antenna can be varied from one meter to four meters, the height of adjustment depends on the EUT height and the antenna 3 dB beamwidth both, to detect the maximum value of the field strength. Both horizontal and vertical polarizations of the antenna are set to make the measurement.
- For each suspected emission, the EUT was arranged to its worst case and then the antenna was tuned to heights and the rotatable table was turned from 0 degrees to 360 degrees to find the maximum reading.
- The spectrum analyzer system was set to peak and average detect function and specified bandwidth with maximum hold mode when the test frequency is above 1 GHz.

Note: The resolution bandwidth of test receiver/spectrum analyzer is 1 MHz and video bandwidth is 3 MHz for Peak detection (PK) at frequency above 1 GHz. The resolution bandwidth of test receiver/spectrum analyzer is 1 MHz for Average detection (AV) at frequency above 1 GHz.



Note: According to EN 55032 standard, cables on the RGP must be insulated.

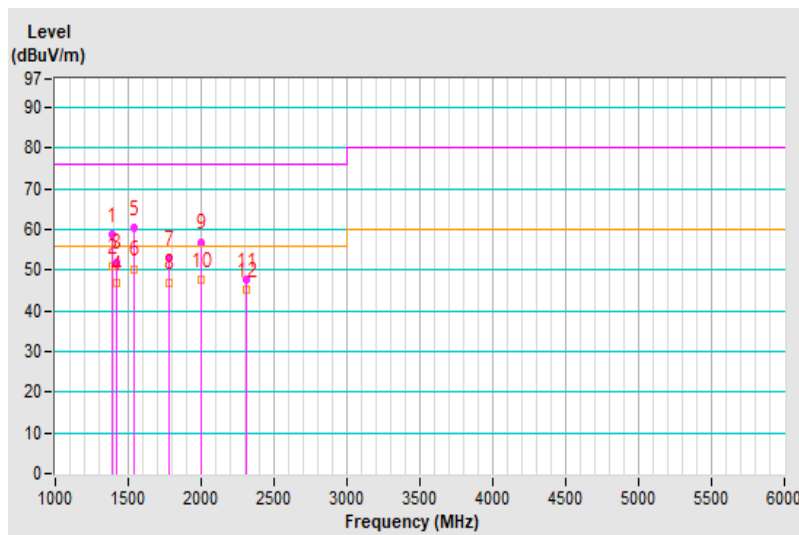
8.4 Test Results

| | | | |
|-----------------|-------------|-------------------------------|--------------------------------|
| Frequency Range | 1GHz ~ 6GHz | Detector Function & Bandwidth | Peak (PK) / Average (AV), 1MHz |
| Tested by | James Chang | Environmental Conditions | 26°C, 70%RH |
| Test Mode | Mode 1 | Test Date | 2019/7/24 |

| Antenna Polarity & Test Distance : Horizontal at 3 m | | | | | | | | |
|--|-----------------|-------------------------|----------------|--------------|--------------------|----------------------|------------------|--------------------------|
| No | Frequency (MHz) | Emission Level (dBuV/m) | Limit (dBuV/m) | Margin (dB) | Antenna Height (m) | Table Angle (Degree) | Raw Value (dBuV) | Correction Factor (dB/m) |
| 1 | 1386.00 | 58.58 PK | 76.00 | -17.42 | 1.14 H | 188 | 59.90 | -1.32 |
| 2 | 1386.00 | 50.93 AV | 56.00 | -5.07 | 1.14 H | 188 | 52.25 | -1.32 |
| 3 | 1424.25 | 51.99 PK | 76.00 | -24.01 | 1.09 H | 150 | 53.31 | -1.32 |
| 4 | 1424.25 | 46.93 AV | 56.00 | -9.07 | 1.09 H | 150 | 48.25 | -1.32 |
| 5 | 1539.97 | 60.46 PK | 76.00 | -15.54 | 1.00 H | 222 | 62.01 | -1.55 |
| 6 | 1539.97 | 50.32 AV | 56.00 | -5.68 | 1.00 H | 222 | 51.87 | -1.55 |
| 7 | 1784.40 | 53.07 PK | 76.00 | -22.93 | 1.13 H | 146 | 54.08 | -1.01 |
| 8 | 1784.40 | 47.01 AV | 56.00 | -8.99 | 1.13 H | 146 | 48.02 | -1.01 |
| 9 | 2002.03 | 56.92 PK | 76.00 | -19.08 | 1.37 H | 146 | 56.73 | 0.19 |
| 10 | 2002.03 | 47.73 AV | 56.00 | -8.27 | 1.37 H | 146 | 47.54 | 0.19 |
| 11 | 2309.97 | 47.78 PK | 76.00 | -28.22 | 1.73 H | 230 | 46.37 | 1.41 |
| 12 | 2309.97 | 45.26 AV | 56.00 | -10.74 | 1.73 H | 230 | 43.85 | 1.41 |

Remarks:

1. Emission Level(dBuV/m) = Raw Value(dBuV) + Correction Factor(dB/m)
2. Correction Factor(dB/m) = Antenna Factor (dB/m) + Cable Factor (dB) - Pre-Amplifier Factor (dB)
3. The other emission levels were very low against the limit.
4. Margin value = Emission level - Limit value



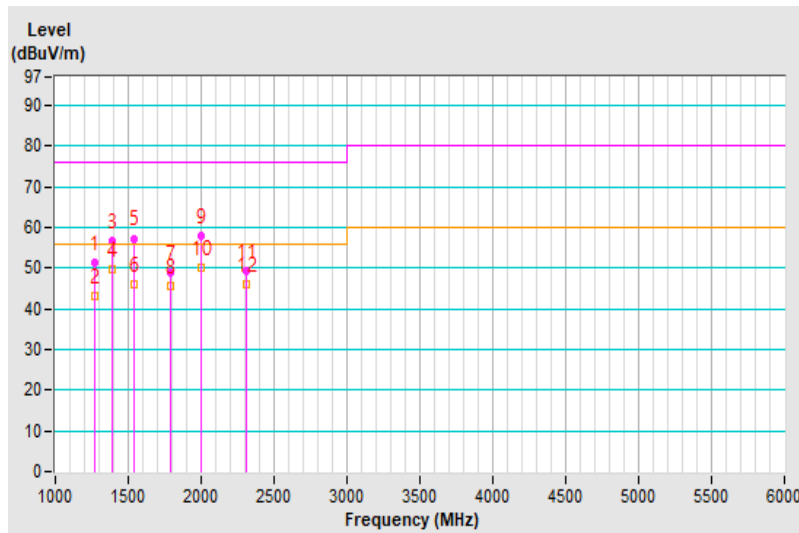
| | | | |
|-----------------|-------------|-------------------------------|--------------------------------|
| Frequency Range | 1GHz ~ 6GHz | Detector Function & Bandwidth | Peak (PK) / Average (AV), 1MHz |
| Tested by | James Chang | Environmental Conditions | 26°C, 70%RH |
| Test Mode | Mode 1 | Test Date | 2019/7/24 |

Antenna Polarity & Test Distance : Vertical at 3 m

| No | Frequency (MHz) | Emission Level (dBuV/m) | Limit (dBuV/m) | Margin (dB) | Antenna Height (m) | Table Angle (Degree) | Raw Value (dBuV) | Correction Factor (dB/m) |
|----|-----------------|-------------------------|----------------|-------------|--------------------|----------------------|------------------|--------------------------|
| 1 | 1270.49 | 51.41 PK | 76.00 | -24.59 | 1.42 V | 204 | 53.55 | -2.14 |
| 2 | 1270.49 | 43.17 AV | 56.00 | -12.83 | 1.42 V | 204 | 45.31 | -2.14 |
| 3 | 1386.04 | 56.75 PK | 76.00 | -19.25 | 1.23 V | 160 | 58.07 | -1.32 |
| 4 | 1386.04 | 49.78 AV | 56.00 | -6.22 | 1.23 V | 160 | 51.10 | -1.32 |
| 5 | 1540.02 | 57.28 PK | 76.00 | -18.72 | 1.54 V | 186 | 58.83 | -1.55 |
| 6 | 1540.02 | 45.94 AV | 56.00 | -10.06 | 1.54 V | 186 | 47.49 | -1.55 |
| 7 | 1792.02 | 48.84 PK | 76.00 | -27.16 | 1.28 V | 140 | 49.81 | -0.97 |
| 8 | 1792.02 | 45.60 AV | 56.00 | -10.40 | 1.28 V | 140 | 46.57 | -0.97 |
| 9 | 2002.00 | 57.76 PK | 76.00 | -18.24 | 1.11 V | 171 | 57.58 | 0.18 |
| 10 | 2002.00 | 50.00 AV | 56.00 | -6.00 | 1.11 V | 171 | 49.82 | 0.18 |
| 11 | 2309.97 | 49.14 PK | 76.00 | -26.86 | 1.44 V | 158 | 47.73 | 1.41 |
| 12 | 2309.97 | 46.00 AV | 56.00 | -10.00 | 1.44 V | 158 | 44.59 | 1.41 |

Remarks:

1. Emission Level(dBuV/m) = Raw Value(dBuV) + Correction Factor(dB/m)
2. Correction Factor(dB/m) = Antenna Factor (dB/m) + Cable Factor (dB) – Pre-Amplifier Factor (dB)
3. The other emission levels were very low against the limit.
4. Margin value = Emission level – Limit value



9 Harmonics Current Measurement

9.1 Limits

| Limits for Class A equipment | | Limits for Class D equipment | | |
|------------------------------|---|------------------------------|--|---|
| Harmonic Order n | Max. permissible harmonics current A | Harmonic Order n | Max. permissible harmonics current per watt mA/W | Max. permissible harmonics current A |
| Odd harmonics | | Odd Harmonics only | | |
| 3 | 2.30 | 3 | 3.4 | 2.30 |
| 5 | 1.14 | 5 | 1.9 | 1.14 |
| 7 | 0.77 | 7 | 1.0 | 0.77 |
| 9 | 0.40 | 9 | 0.5 | 0.40 |
| 11 | 0.33 | 11 | 0.35 | 0.33 |
| 13 | 0.21 | 13 | 0.30 | 0.21 |
| $15 \leq n \leq 39$ | $0.15 \times 15/n$ | $15 \leq n \leq 39$ | $3.85/n$ | $0.15 \times 15/n$ |
| Even harmonics | | | | |
| 2 | 1.08 | | | |
| 4 | 0.43 | | | |
| 6 | 0.30 | | | |
| $8 \leq n \leq 40$ | $0.23 \times 8/n$ | | | |

Notes:

1. Class A and Class D are classified according to section 5 of EN 61000-3-2.
2. According to section 7 of EN 61000-3-2, the above limits for all equipment except for lighting equipment having an active input power > 75 W and no limits apply for equipment with an active input power up to and including 75 W.

9.2 Classification of Equipment

The EUT is Class A in accordance with EN 61000-3-2 as follows:

| Class A | Class B | Class C | Class D |
|--|--|---------------------|--|
| Balanced three-phase equipment, Household appliances excluding equipment as Class D, Tools excluding portable tools, Dimmers for incandescent lamps, audio equipment, equipment not specified in one of the three other classes. | Portable tools.; Arc welding equipment which is not professional equipment | Lighting equipment. | Equipment having a specified power less than or equal to 600 W of the following types: Personal computers and personal computer monitors; Television receivers; Refrigerators and freezers having one or more variable-speed drives to control compressor motor(s). |

9.3 Test Instruments

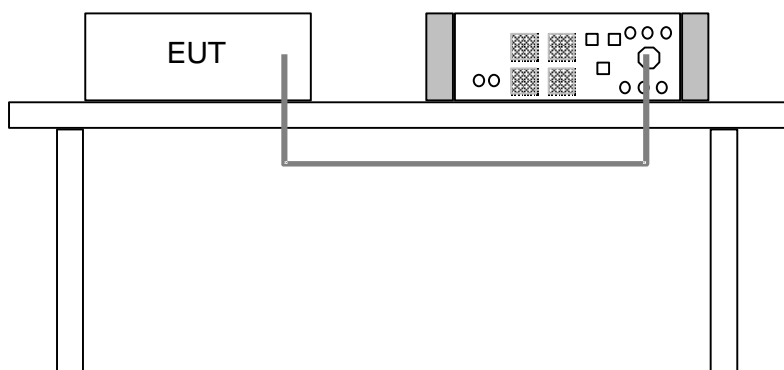
| Description & Manufacturer | Model No. | Serial No. | Cal. Date | Cal. Due |
|--|---------------|------------|---------------|---------------|
| Schaffner AC Power Source | NSG1007 | 55616 | Oct. 15, 2018 | Oct. 14, 2019 |
| Schaffner Signal Conditioning Unit- Lumped Impedance | CCN1000-1-LR1 | 72224 | Oct. 15, 2018 | Oct. 14, 2019 |
| Software | CTS 4 | NA | NA | NA |

Notes: 1. The test was performed in Hwa Ya EMS Room 2.

2. The calibration interval of the above test instruments is 12 months and the calibrations are traceable to NML/ROC and NIST/USA.

9.4 Test Arrangement

- The EUT was placed on the top of a wooden table 0.8 meters above the ground and operated to produce the maximum harmonic components under normal operating conditions for each successive harmonic component in turn.
- The correspondent test program of test instrument to measure the current harmonics emanated from EUT is chosen. The measure time shall be not less than the time necessary for the EUT to be exercised.



9.5 Test Results

| | | | |
|----------------------------|----------------------------|-----------------|------------|
| Test Duration (mins) | 3 | Tested by | Water Su |
| Fundamental Voltage/Ampere | 230.17 Vrms/ 0.381 Arms | Power Frequency | 50 Hz |
| Power Consumption | 64.2 W | Power Factor | 0.782 |
| Environmental Conditions | 23 °C, 58 % RH | Test Date | 2019/09/03 |
| Test Mode | 1 | | |

Note: 1. Limits are not specified for equipment with a rated power of 75 W or less (other than lighting equipment).

2. According to EN 61000-3-2 the manufacturer shall specify the power of the apparatus. This value shall be used for establishing limits. The specified power shall be within +/-10 % of the measured power.

10 Voltage Fluctuations and Flicker Measurement

10.1 Limits

| Test item | Limit | Note |
|----------------|-------|---|
| P_{st} | 1.0 | P_{st} : short-term flicker severity. |
| P_{lt} | 0.65 | P_{lt} : long-term flicker severity. |
| T_{max} (ms) | 500 | T_{max} : maximum time duration during the observation period that the voltage deviation $d(t)$ exceeds the limit for d_c . |
| d_{max} (%) | 4 | d_{max} : maximum absolute voltage change during an observation period. |
| d_c (%) | 3.3 | d_c : maximum steady state voltage change during an observation period. |

10.2 Test Instruments

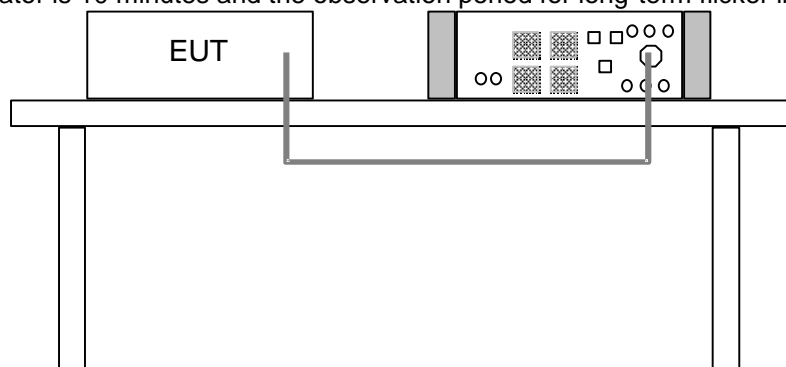
| Description & Manufacturer | Model No. | Serial No. | Cal. Date | Cal. Due |
|--|---------------|------------|---------------|---------------|
| Schaffner AC Power Source | NSG1007 | 55616 | Oct. 15, 2018 | Oct. 14, 2019 |
| Schaffner Signal Conditioning Unit- Lumped Impedance | CCN1000-1-LR1 | 72224 | Oct. 15, 2018 | Oct. 14, 2019 |
| Software | CTS 4 | NA | NA | NA |

Notes: 1. The test was performed in Hwa Ya EMS Room 2.

2. The calibration interval of the above test instruments is 12 months and the calibrations are traceable to NML/ROC and NIST/USA.

10.3 Test Arrangement

- The EUT was placed on the top of a wooden table 0.8 meters above the ground and operated to produce the most unfavorable sequence of voltage changes under normal operating conditions.
- During the flick measurement, the measure time shall include that part of whole operation cycle in which the EUT produce the most unfavorable sequence of voltage changes. The observation period for short-term flicker indicator is 10 minutes and the observation period for long-term flicker indicator is 2 hours.



10.4 Test Results

| | | | |
|----------------------------|----------------------------|-----------------|------------|
| Observation (T_p) | 10 min. | Tested by | Water Su |
| Fundamental Voltage/Ampere | 230.16 Vrms/ 0.381 Arms | Power Frequency | 50 Hz |
| Power Consumption | 64.2 W | Power Factor | 0.782 |
| Environmental Conditions | 23 °C, 58 % RH | Test Date | 2019/09/03 |
| Test Mode | 1 | | |

| Test Parameter | Measurement Value | Limit | Remarks |
|----------------|-------------------|-------|---------|
| P_{st} | 0.064 | 1.00 | Pass |
| P_{lt} | 0.028 | 0.65 | Pass |
| T_{max} (ms) | 0 | 500 | Pass |
| d_{max} (%) | 0 | 4 | Pass |
| d_c (%) | 0 | 3.3 | Pass |

- Note: (1) P_{st} means short-term flicker indicator.
 (2) P_{lt} means long-term flicker indicator.
 (3) T_{max} means accumulated time value of $d(t)$ with a deviation exceeding 3.3 %.
 (4) d_{max} means maximum relative voltage change.
 (5) d_c means maximum relative steady-state voltage change.

11 General Immunity Requirements

| EN 55024:2010 +A1:2015, Immunity requirements | | | | |
|---|--|-------|--|-----------------------|
| Clause | Reference standard | Table | Test specification | Performance Criterion |
| 4.2.1 | EN 61000-4-2 ESD | 1.3 | Enclosure port: ±8 kV Air discharge, ±4 kV Contact discharge | B |
| 4.2.3.2 | EN 61000-4-3 RS | 1.2 | Enclosure port: 80-1000 MHz, 3 V/m, 80% AM (1 kHz) | A |
| 4.2.2 | EN 61000-4-4 EFT | 2.3 | Signal ports and telecommunication ports: xDSL equipment: ±0.5 kV, 5/50 (T _r /T _h) ns, 100 kHz others: ±0.5 kV, 5/50 (T _r /T _h) ns, 5 kHz | B |
| | | 3.3 | Input DC power port: ±0.5 kV, 5/50 (T _r /T _h) ns, 5 kHz | |
| | | 4.5 | Input AC Power ports: ±1 kV, 5/50 (T _r /T _h) ns, 5 kHz | |
| 4.2.5 | EN 61000-4-5 Surge | 2.2 | Signal and telecommunication ports (direct to outdoor cables): 10/700 (5/320) (T _r /T _h) μs w/o primary protectors: ±1 kV, or with primary protectors fitted: ±4 kV | C |
| | | 3.2 | Input DC power port (direct to outdoor cables): 1.2/50 (8/20) (T _r /T _h) μs Line to earth: ±0.5 kV | B |
| | | 4.4 | Input AC Power ports: 1.2/50 (8/20) (T _r /T _h) μs, Line to line: ±1 kV Line to earth: ±2 kV | |
| 4.2.3.3 | EN 61000-4-6 CS | 2.1 | Signal and telecommunication ports (cable length > 3 m): 0.15-80 MHz, 3 V, 80 % AM (1 kHz) | A |
| | | 3.1 | Input DC power port: 0.15-80 MHz, 3 V, 80 % AM (1 kHz) | |
| | | 4.1 | Input AC Power ports: 0.15-80 MHz, 3 V, 80 % AM (1 kHz) | |
| 4.2.4 | EN 61000-4-8 PFMF | 1.1 | Enclosure port: 50 or 60 Hz, 1 A/m | A |
| 4.2.6 | EN 61000-4-11 Dips & Interruptions | 4.2 | Input AC Power ports: Voltage Dips: >95 % reduction – 0.5 period 30 % reduction – 25 periods | B C |
| | | 4.3 | Input AC Power ports: Voltage Interruptions: >95 % reduction – 250 periods | C |

11.1 Specific Immunity Requirements by Manufacturer

N/A

11.2 Performance Criteria

General Performance Criteria

Performance criterion A

The equipment shall continue to operate as intended without operator intervention. No degradation of performance or loss of function is allowed below a performance level specified by the manufacturer when the equipment is used as intended. The performance level may be replaced by a permissible loss of performance. If the minimum performance level or the permissible performance loss is not specified by the manufacturer, then either of these may be derived from the product description and documentation, and by what the user may reasonably expect from the equipment if used as intended.

Performance criterion B

After the test, the equipment shall continue to operate as intended without operator intervention. No degradation of performance or loss of function is allowed, after the application of the phenomena below a performance level specified by the manufacturer, when the equipment is used as intended. The performance level may be replaced by a permissible loss of performance. During the test, degradation of performance is allowed. However, no change of operating state or stored data is allowed to persist after the test. If the minimum performance level (or the permissible performance loss) is not specified by the manufacturer, then either of these may be derived from the product description and documentation, and by what the user may reasonably expect from the equipment if used as intended.

Performance criterion C

Loss of function is allowed, provided the function is self-recoverable, or can be restored by the operation of the controls by the user in accordance with the manufacturer's instructions. Functions, and/or information stored in non-volatile memory, or protected by a battery backup, shall not be lost.

Product Specific Performance Criteria

The particular performance criteria which are specified in the normative annexes of EN 55024 take precedence over the corresponding parts of the general performance criteria.

Where particular performance criteria for specific functions are not given, then the general performance criteria shall apply.

| Function | Performance criteria A | Performance criteria B | Performance criteria C |
|---------------------------------|---|---|---|
| Read, write and storage of data | During the test storage devices shall maintain normal operation both in read/write and in standby conditions. | During and after the test failures which can be recovered by read and write retries are permissible (temporary delay in processing caused by this process is acceptable). Normal operation of the EUT shall be restored after the test, self-recovery to the conditions immediately prior to the application of the test is accepted where this is a normal means of recovery. In these cases, operator response is permitted to re-initialise an operation. | Failures during test that result in a delay in processing or a system abort, which after testing can be recovered to normal operation by reset or reboot, are permissible. |
| Data display | During the test, when seen from the normal viewing distance, the EUT shall operate with no change beyond the manufacturer's specification, in flicker, colour, focus and jitter (except for the power frequency magnetic field test). | Screen disturbances during the application of the test are permissible if they self-recover after removal of the external disturbance. | Failures during the test that cannot self-recover after removal of the external disturbance, but which can be recovered after the test to normal operation by reset or reboot are permissible. |
| Data input | During testing unintended input from an input device is not allowed. During testing input devices shall maintain the specified quality image data. | During testing keyboard/mouse "lock up" is not allowed. For EUT with manually inputted data that can be confirmed by reading the display, errors are permissible during testing if they can be recognised by the operator and easily corrected. | Failures during test that result in a delay in processing or a system abort, which after testing can be recovered to normal operation by reset or reboot, are permissible. |
| Data printing | During testing printers shall maintain the specified printing quality and normal operation. | During testing no degradation of the printing quality beyond the manufacturer's specification (such as distortion of character(s) or missing pixels) is permissible. A paper feed failure is allowed if after removal of the jammed sheets the job is automatically recovered and there is no loss of printed information. | During testing printing errors or omission of character(s) which require reprinting are permissible. Input/output failures that occur during testing that can be recovered to normal operation after testing by reset or reboot are also permissible. |
| Data processing | During testing failures which do not influence the specified operation within the product specification, and which do not prevent automatic recovery are permissible. | During testing failures which are recovered automatically but cause temporary delay in processing are permissible. | Failures during testing that - result in a delay in processing after the external disturbance is removed, but which can be recovered after testing to normal operation by a reset or reboot - result in a system abort, which can be recovered to normal operation after testing by reset or reboot, - are followed by alarms and can be recovered to normal operation by the operator's intervention after testing are permissible. |

12 Electrostatic Discharge Immunity Test (ESD)

12.1 Test Specification

| | |
|----------------------|--|
| Basic Standard: | EN/IEC 61000-4-2 |
| Discharge Impedance: | 330 ohm / 150 pF |
| Discharge Voltage: | Air Discharge: $\pm 2, \pm 4, \pm 8$ kV (Direct) Contact Discharge: $\pm 2, \pm 4$ kV (Direct/Indirect) |
| Number of Discharge: | Air – Direct: 10 discharges per location (each polarity) Contact – Direct & Indirect: 25 discharges per location (each polarity) and min. 200 times in total |
| Discharge Mode: | Single Discharge |
| Discharge Period: | 1-second minimum |

12.2 Test Instruments

| Description & Manufacturer | Model No. | Serial No. | Cal. Date | Cal. Due |
|----------------------------|-----------------------------------|-------------|---------------|---------------|
| EM Test ESD Generator | Dito//DM-150/330//DM-150/330-rfci | P1315117252 | Jul. 17, 2019 | Jul. 16, 2020 |

- Notes: 1. The test was performed in Hwa Ya ESD Room 3.
2. The calibration interval of the above test instruments is 12 months and the calibrations are traceable to NML/ROC and NIST/USA.

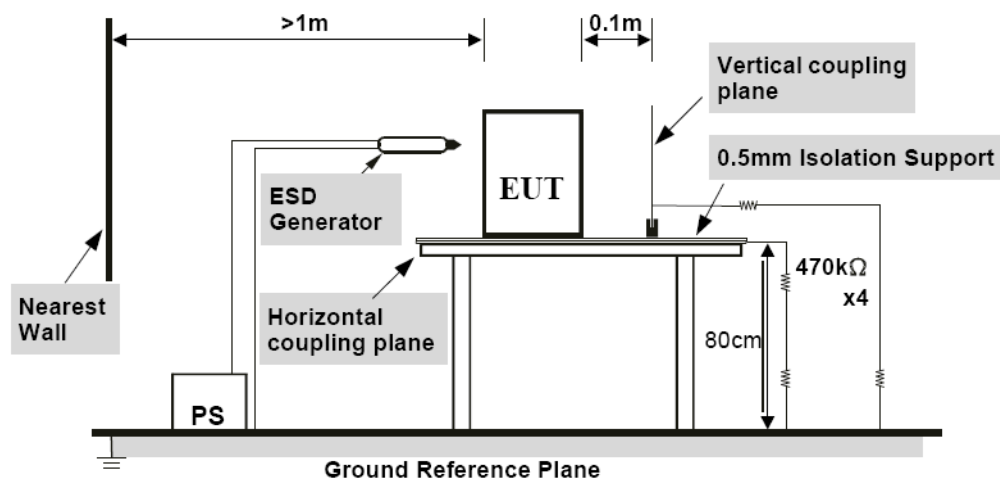
12.3 Test Arrangement

The discharges shall be applied in two ways:

- a. Contact discharges to the conductive surfaces and coupling planes:
The EUT shall be exposed to at least 200 discharges, 100 each at negative and positive polarity, at a minimum of four test points. One of the test points shall be subjected to at least 50 indirect discharges to the center of the front edge of the horizontal coupling plane. The remaining three test points shall each receive at least 50 direct contact discharges. If no direct contact test points are available, then at least 200 indirect discharges shall be applied in the indirect mode. Test shall be performed at a maximum repetition rate of one discharge per second.
- b. Air discharges at slots and apertures and insulating surfaces:
On those parts of the EUT where it is not possible to perform contact discharge testing, the equipment should be investigated to identify user accessible points where breakdown may occur. Such points are tested using the air discharge method. This investigation should be restricted to those area normally handled by the user. A minimum of 10 single air discharges shall be applied to the selected test point for each such area.

The basic test procedure was in accordance with EN/IEC 61000-4-2:

- a. Electrostatic discharges were applied only to those points and surfaces of the EUT that are accessible to users during normal operation.
- b. The test was performed with at least ten single discharges on the pre-selected points in the most sensitive polarity.
- c. The time interval between two successive single discharges was at least 1 second.
- d. The ESD generator was held perpendicularly to the surface to which the discharge was applied and the return cable was at least 0.2 meters from the EUT.
- e. Contact discharges were applied to the non-insulating coating, with the pointed tip of the generator penetrating the coating and contacting the conducting substrate.
- f. Air discharges were applied with the round discharge tip of the discharge electrode approaching the EUT as fast as possible (without causing mechanical damage) to touch the EUT. After each discharge, the ESD generator was removed from the EUT and re-triggered for a new single discharge. The test was repeated until all discharges were complete.
- g. At least ten single discharges (in the most sensitive polarity) were applied to the Horizontal Coupling Plane at points on each side of the EUT. The ESD generator was positioned at a distance of 0.1 meters from the EUT with the discharge electrode touching the HCP.
- h. At least ten single discharges (in the most sensitive polarity) were applied to the center of one vertical edge of the Vertical Coupling Plane in sufficiently different positions that the four faces of the EUT were completely illuminated. The VCP (dimensions 0.5 m x 0.5 m) was placed vertically to and 0.1 meters from the EUT.



12.4 Test Results

| | | | |
|--------------------------|----------------------------|-----------|-------------|
| Input Power | 230 Vac, 50 Hz | Tested by | Shawn Huang |
| Environmental Conditions | 23 °C, 45 % RH 988 mbar | Test Date | 2019/12/13 |
| Test Mode | 1 | | |

| Test Results of Direct Application | | | | | |
|------------------------------------|----------------|------------|-------------------|---------------|-----------------------|
| Discharge Level (kV) | Polarity (+/-) | Test Point | Contact Discharge | Air Discharge | Performance Criterion |
| 2, 4 | +/- | 1-7 | NA | Note 1 | A |
| 8 | +/- | 1-7 | NA | Note 2 | B |
| 2, 4 | +/- | 8-17 | Note 1 | NA | A |

Description of test points of direct application: Please refer to following page for representative mark only.

| Test Results of Indirect Application | | | | | |
|--------------------------------------|----------------|------------|---------------------------|-------------------------|-----------------------|
| Discharge Level (kV) | Polarity (+/-) | Test Point | Horizontal Coupling Plane | Vertical Coupling Plane | Performance Criterion |
| 2, 4 | +/- | Four Sides | Note 1 | Note 1 | A |

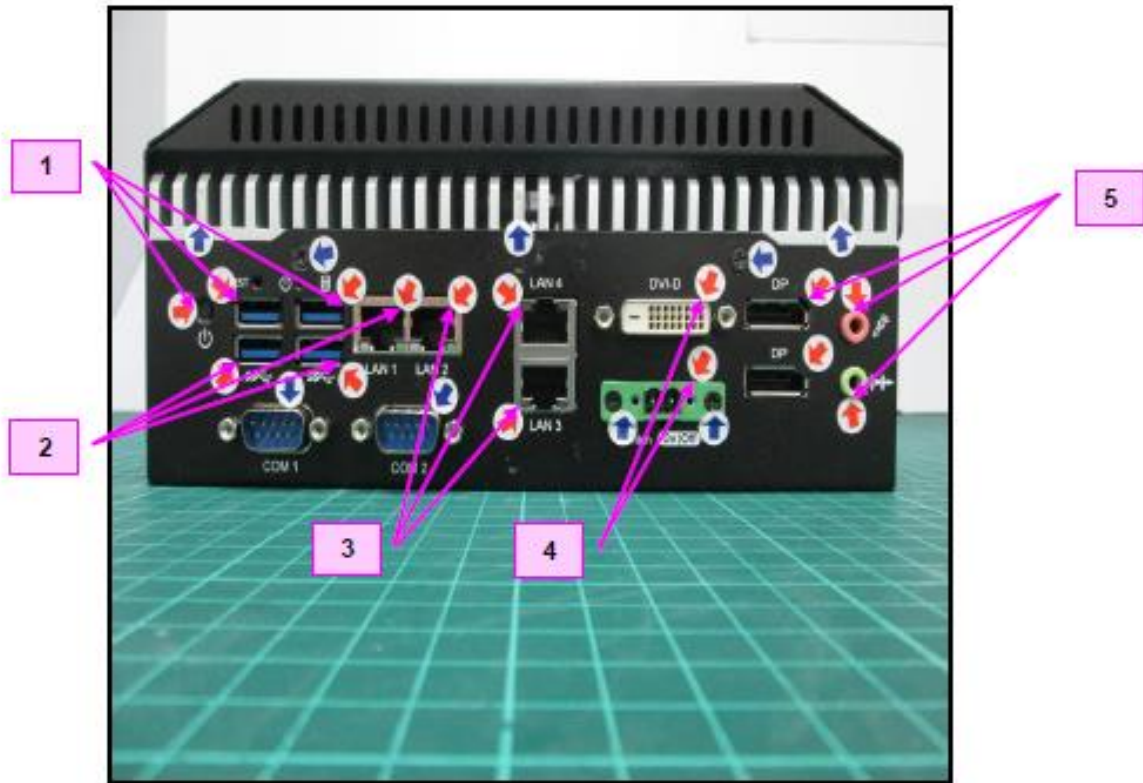
Description of test points of indirect application:

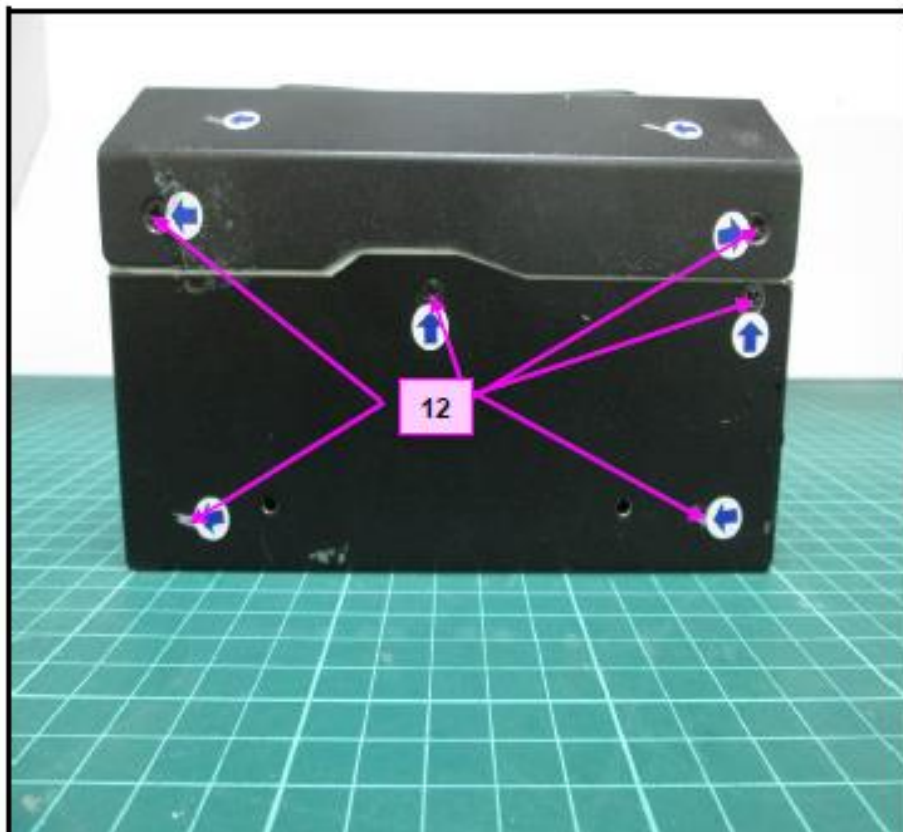
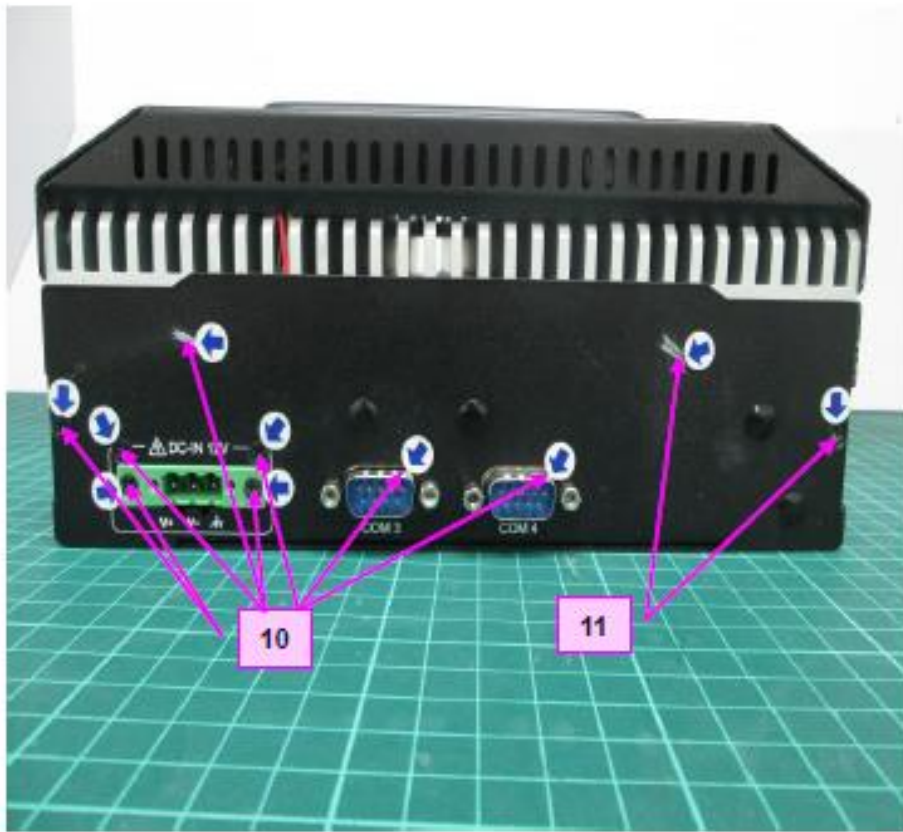
1. Front side
2. Rear side
3. Right side
4. Left side

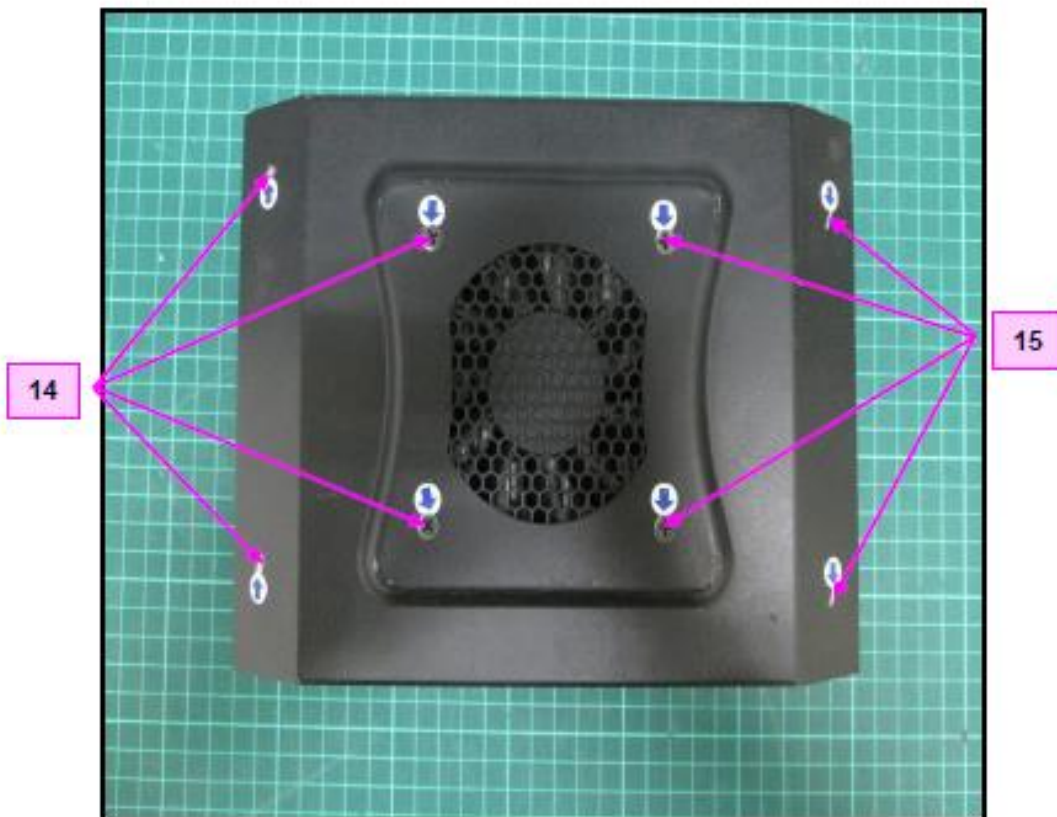
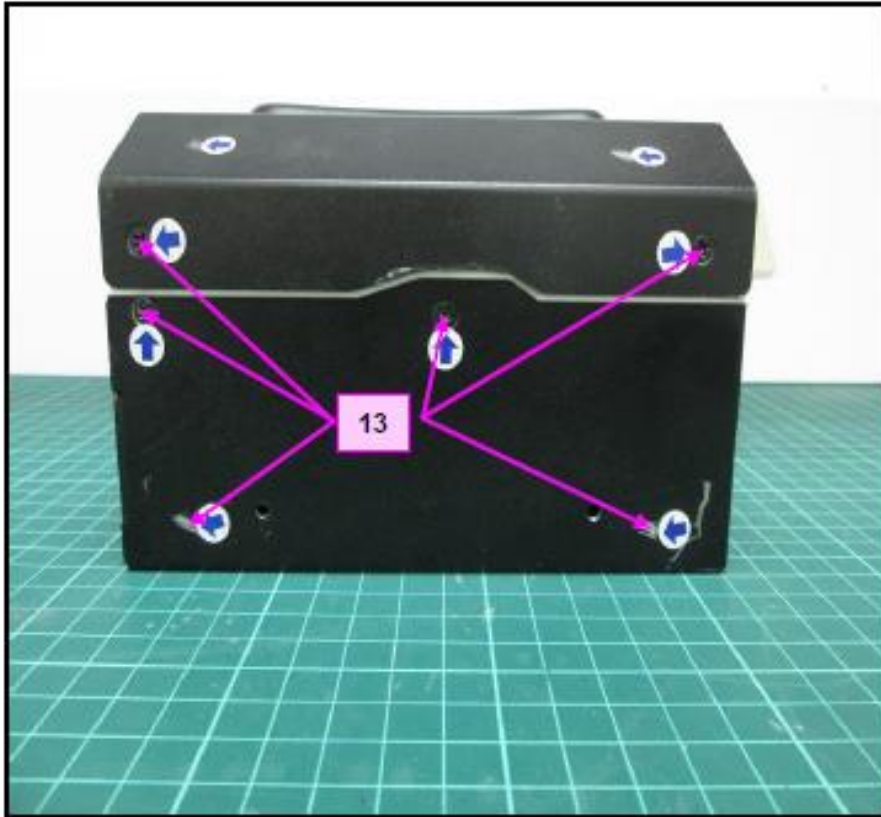
Note: 1. The EUT function was correct during the test.

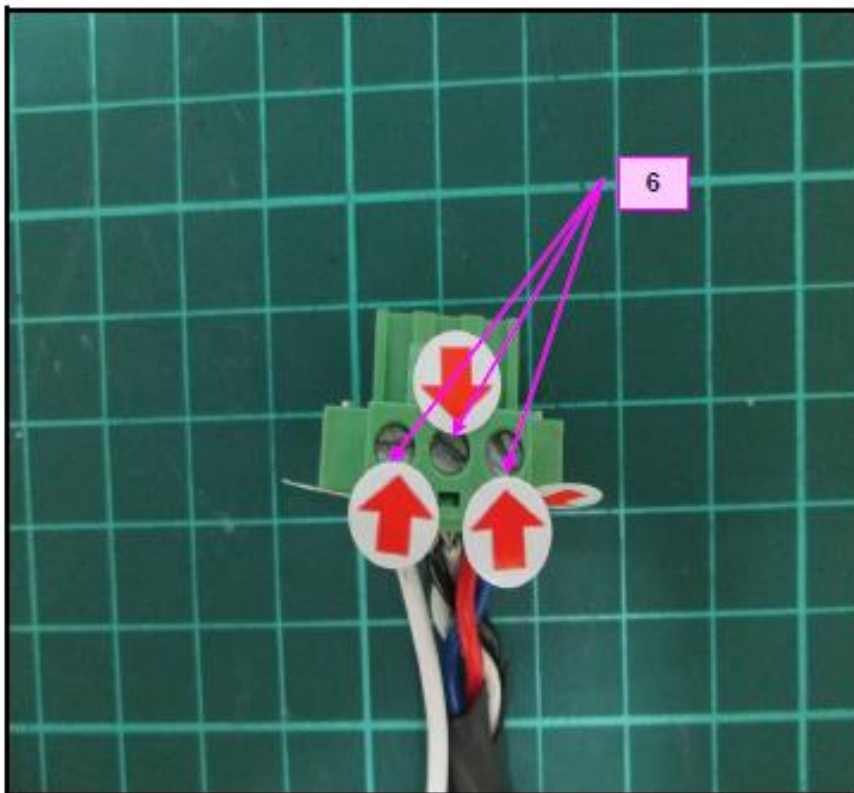
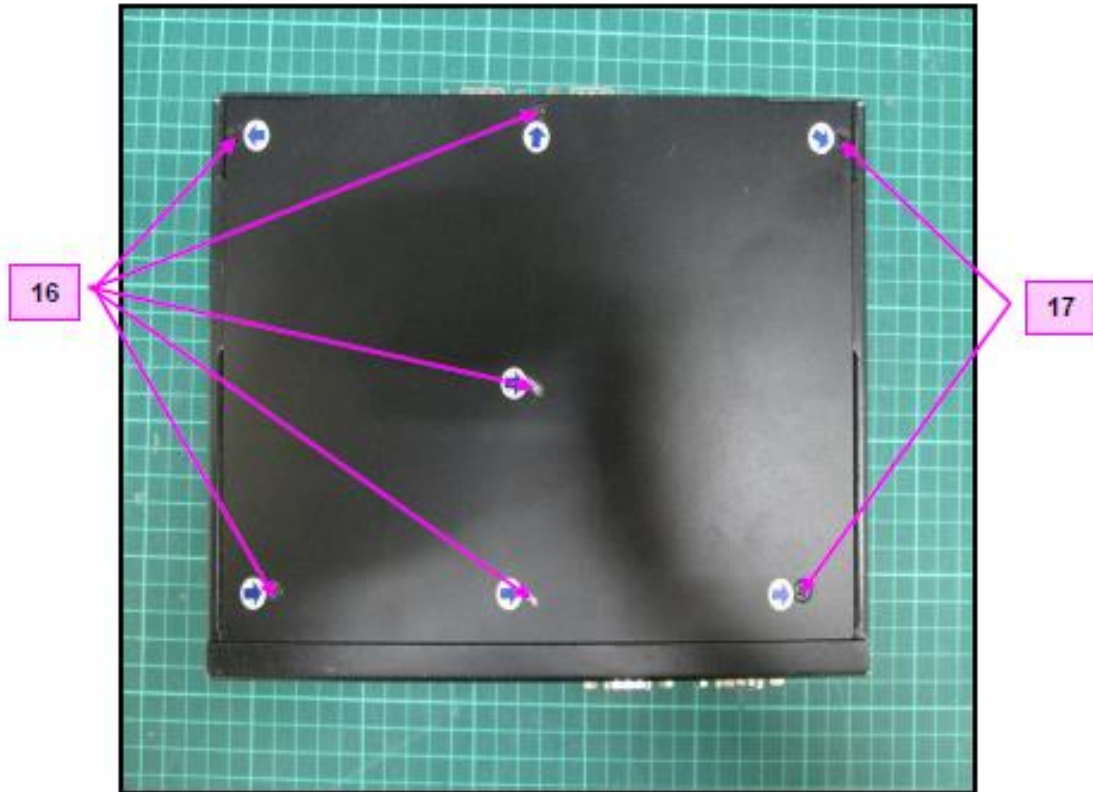
2. The DP monitor had flickered during the test, but could self -recover to the initial operation after the test.

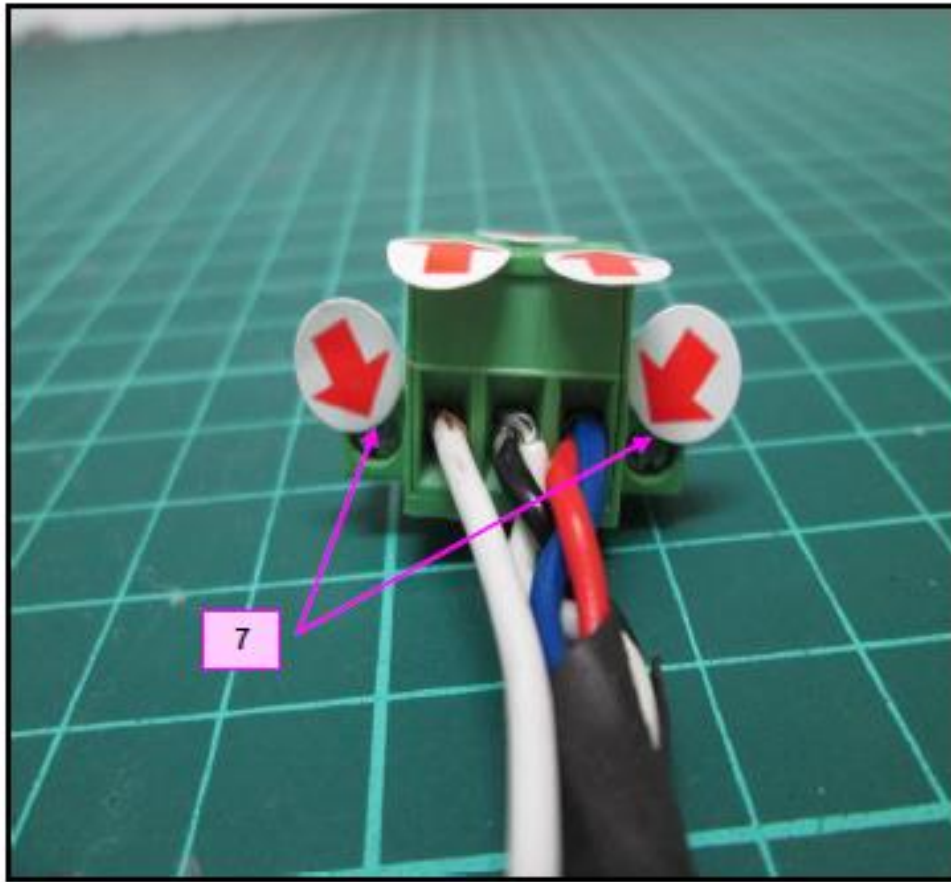
Description of Test Points











13 Radiated, Radio-frequency, Electromagnetic Field Immunity Test (RS)

13.1 Test Specification

| | |
|----------------------|--------------------------------------|
| Basic Standard: | EN/IEC 61000-4-3 |
| Frequency Range: | 80 MHz - 1000 MHz |
| Field Strength: | 3 V/m |
| Modulation: | 1 kHz Sine Wave, 80 %, AM Modulation |
| Frequency Step: | 1 % of preceding frequency value |
| Polarity of Antenna: | Horizontal and Vertical |
| Antenna Height: | 1.55 m |
| Dwell Time: | 3 seconds |

13.2 Test Instruments

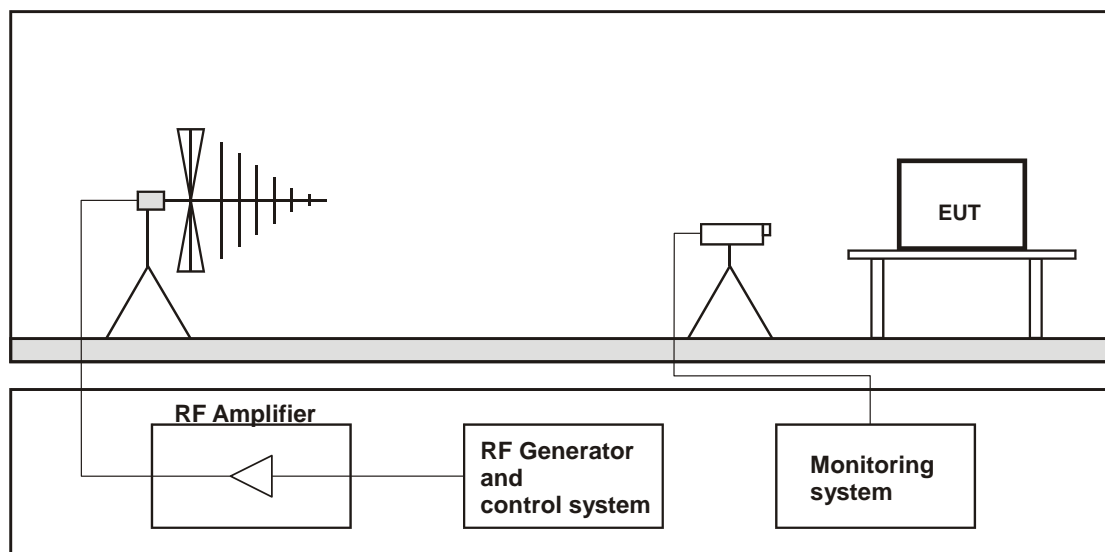
| Description & Manufacturer | Model No. | Serial No. | Cal. Date | Cal. Due |
|--------------------------------|-------------------------|------------|---------------|---------------|
| BONN Power Amp | BLMA 1060-100/50D | 118694 | NA | NA |
| BBA Power Amp | B250C125 | 101011 | NA | NA |
| Power Sensor | NRP-Z91 | 101572 | Jan. 24, 2019 | Jan. 23, 2020 |
| Power Sensor | NRP-Z91 | 101573 | Dec. 03, 2019 | Dec. 02, 2020 |
| Signal Generator | SMB100A | 105801 | Dec. 03, 2019 | Dec. 02, 2020 |
| R&S Software | EMC32 Version 8.52.0 | NA | NA | NA |
| Stacked Log-Per Antenna | STLP9149 | 9149-141 | NA | NA |
| High GAIN LOG-Periodic Antenna | HL046E | 100114 | NA | NA |

- Notes:
1. The test was performed in Hwa Ya RS Room 2.
 2. The calibration interval of the above test instruments is 12 months and the calibrations are traceable to NML/ROC and NIST/USA.
 3. The transmit antenna was located at a distance of 3 meters from the EUT.

13.3 Test Arrangement

The test procedure was in accordance with EN/IEC 61000-4-3.

- The testing was performed in a modified semi-anechoic chamber.
- The frequency range is swept from 80 MHz to 1000 MHz, with the signal 80 % amplitude modulated with a 1 kHz sine wave.
- The field strength level was 3 V/m.
- The test was performed with the EUT exposed to both vertically and horizontally polarized fields on each of the four sides.



13.4 Test Results

| | | | |
|--------------------------|----------------|-----------|------------|
| Input Power | 230 Vac, 50 Hz | Tested by | Water Su |
| Environmental Conditions | 23 °C, 58 % RH | Test Date | 2019/12/11 |
| Test Mode | 1 | | |

| Frequency (MHz) | Polarity | Azimuth(°) | Applied Field Strength | | Observation | Performance Criterion |
|-----------------|----------|------------|------------------------|----------------|-------------|-----------------------|
| | | | (V/m) | Modulation | | |
| 80 -1000 | V&H | 0 | 3 | 80% AM (1 kHz) | Note 1 | A |
| 80 -1000 | V&H | 90 | 3 | 80% AM (1 kHz) | Note 1 | A |
| 80 -1000 | V&H | 180 | 3 | 80% AM (1 kHz) | Note 1 | A |
| 80 -1000 | V&H | 270 | 3 | 80% AM (1 kHz) | Note 1 | A |

Note: 1. The EUT function was correct during the test.

14 Electrical Fast Transient/Burst Immunity Test (EFT)

14.1 Test Specification

| | |
|-------------------------------|--|
| Basic Standard: | EN/IEC 61000-4-4 |
| Test Voltage: | Signal / telecommunication port: ± 0.5 kV Input DC power port: N/A Input AC power port: ± 1 kV |
| Impulse Repetition Frequency: | xDSL telecommunication port: 100 kHz others: 5 kHz |
| Impulse Wave Shape: | 5/50 ns |
| Burst Duration: | 0.75 ms for 100 kHz Repetition Frequency 15 ms for 5 kHz Repetition Frequency, |
| Burst Period: | 300 ms |
| Test Duration: | 1 min. |

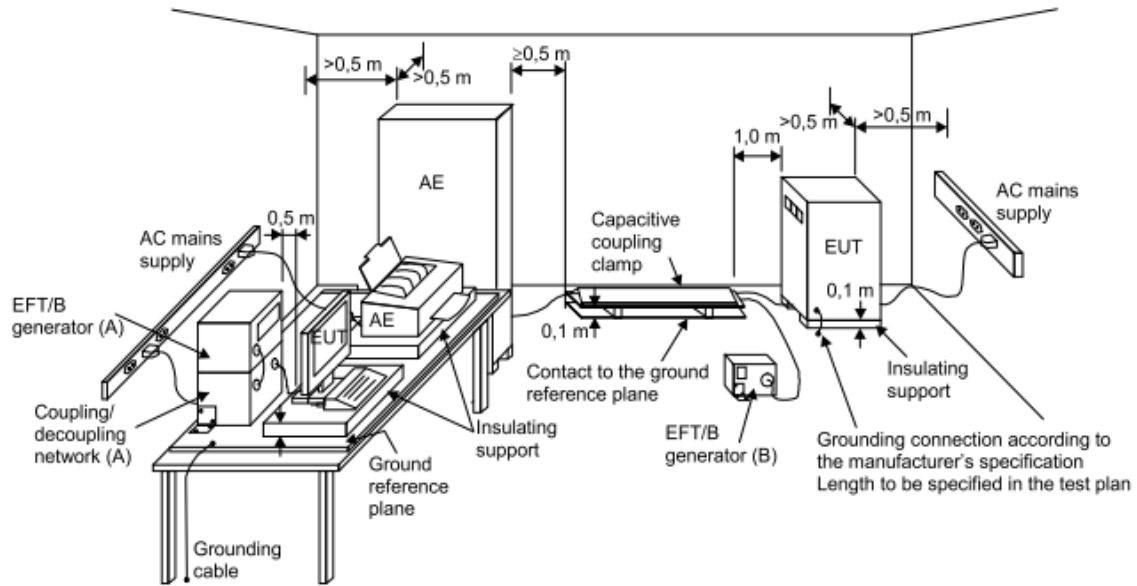
14.2 Test Instruments

| Description & Manufacturer | Model No. | Serial No. | Cal. Date | Cal. Due |
|----------------------------|--|------------------------|---------------|---------------|
| EMC Immunity Test System | NSG 3060/ CDN 3061/ VAR 3005-S16/ CDN 3425 | 1385/1355/857/1 763 | Jun. 26, 2019 | Jun. 25, 2020 |

- Notes: 1. The test was performed in Hwa Ya EMS Room 2.
2. The calibration interval of the above test instruments is 12 months and the calibrations are traceable to NML/ROC and NIST/USA.

14.3 Test Arrangement

- Both positive and negative polarity discharges were applied.
- The distance between any coupling devices and the EUT should be 0.5 m for table-top equipment testing, and 1.0 m for floor standing equipment.
- The duration time of each test sequential was 1 minute.
- The transient/burst waveform was in accordance with EN/IEC 61000-4-4, 5/50 ns.



IEC 645/12

14.4 Test Results

| | | | |
|--------------------------|----------------|-----------|------------|
| Input Power | 230 Vac, 50 Hz | Tested by | Regan Wang |
| Environmental Conditions | 23 °C, 62 % RH | Test Date | 2019/12/06 |
| Test Mode | 1 | | |

Input AC power port

| Voltage (kV) | Test Point | Polarity (+/-) | Observation | Performance Criterion |
|--------------|------------|----------------|-------------|-----------------------|
| 1 | L1 | +/- | Note 1 | A |
| 1 | L2 | +/- | Note 1 | A |
| 1 | PE | +/- | Note 1 | A |
| 1 | L1-L2-PE | +/- | Note 1 | A |

Note: 1. The EUT function was correct during the test.

| | | | |
|--------------------------|----------------|-----------|------------|
| Input Power | 230 Vac, 50 Hz | Tested by | Regan Wang |
| Environmental Conditions | 23 °C, 62 % RH | Test Date | 2019/12/06 |
| Test Mode | 2 | | |

Signal / telecommunication port

| Voltage (kV) | Test Point | Polarity (+/-) | Observation | Performance Criterion |
|--------------|------------|----------------|-------------|-----------------------|
| 0.5 | LAN 1 | +/- | Note 1 | A |

Note: 1. The EUT function was correct during the test.

| | | | |
|--------------------------|----------------|-----------|------------|
| Input Power | 230 Vac, 50 Hz | Tested by | Regan Wang |
| Environmental Conditions | 23 °C, 62 % RH | Test Date | 2019/12/06 |
| Test Mode | 3 | | |

Signal / telecommunication port

| Voltage (kV) | Test Point | Polarity (+/-) | Observation | Performance Criterion |
|--------------|------------|----------------|-------------|-----------------------|
| 0.5 | LAN 4 | +/- | Note 1 | A |

Note: 1. The EUT function was correct during the test.

15 Surge Immunity Test

15.1 Test Specification

| | |
|--------------------------|--|
| Basic Standard: | EN/IEC 61000-4-5 |
| Wave-Shape: | Signal / telecommunication port (direct to outdoor cables*): 10/700 μ s Open Circuit Voltage 5/320 μ s Short Circuit Current Input DC power port (direct to outdoor cables*): 1.2/50 μ s Open Circuit Voltage 8/20 μ s Short Circuit Current Input AC power port: 1.2/50 μ s Open Circuit Voltage 8/20 μ s Short Circuit Current |
| Test Voltage: | Signal and telecommunication ports**: w/o primary protectors: N/A, with primary protectors fitted: N/A Input DC power port: Line to earth or ground: N/A Input AC power ports: Line to line: ± 0.5 kV, ± 1 kV Line to earth or ground: ± 0.5 kV, ± 1 kV, ± 2 kV |
| AC Phase Angle (degree): | 0°, 90°, 180°, 270° |
| Pulse Repetition Rate: | 1 time / 60 sec. |
| Number of Tests: | 5 positive and 5 negative at selected points |

* This test is only applicable only to ports, which according to the manufacturer's specification, may connect directly to outdoor cables.

** For ports where primary protection is intended, surges are applied at voltages up to 4 kV with the primary protectors fitted. Otherwise the 1 kV test level is applied without primary protection in place.

15.2 Test Instruments

| Description & Manufacturer | Model No. | Serial No. | Cal. Date | Cal. Due |
|--|--|--|---------------|---------------|
| EMC Immunity Test System | NSG 3060 | 1385 | Jun. 26, 2019 | Jun. 25, 2020 |
| EMC Immunity Test System | CDN 3061 | 1355 | Jun. 26, 2019 | Jun. 25, 2020 |
| EMC Immunity Test System | VAR 3005-S16 | 857 | Jun. 26, 2019 | Jun. 25, 2020 |
| Surge CDN | CDN HSS-2 | 36541 | Jun. 26, 2019 | Jun. 25, 2020 |
| CDN for Unshielded symmetrical signal & Data Lines | CDN 118 / INA 172 / INA 175 / INA 180 / INA 181 / INA 182 / INA 183 | 33882 / 33245 / 35809 / 35806 / 35909 / 35912 / 35917 / 35927 | Jun. 26, 2019 | Jun. 25, 2020 |

Notes: 1. The test was performed in Hwa Ya EMS Room 2.

2. The calibration interval of the above test instruments is 12 months and the calibrations are traceable to NML/ROC and NIST/USA.

15.3 Test Arrangement

a. Input AC/DC Power ports:

The surge is to be applied to the EUT power supply terminals via the capacitive coupling network. Decoupling networks are required in order to avoid possible adverse effects on equipment not under test that may be powered by the same lines, and to provide sufficient decoupling impedance to the surge wave. The power cord between the EUT and the coupling/decoupling networks shall be 2 meters in length (or shorter).

For double-insulated products without PE or external earth connections, the test shall be done in a similar way as for grounded products but without adding any additional external grounded connections. If there are no other possible connections to earth, line-to-ground tests may be omitted.

b. Signal and telecommunication ports,

- Unshielded unsymmetrical interconnection lines:

The surge is applied to the lines via the capacitive coupling. The coupling / decoupling networks shall not influence the specified functional conditions of the EUT. The interconnection line between the EUT and the coupling/decoupling networks shall be 2 meters in length.

- Unshielded symmetrical interconnections communication lines:

The surge is applied to the lines via gas arrestors coupling. Test levels below the ignition point of the coupling arrester cannot be specified. The interconnection line between the EUT and the coupling/decoupling networks shall be 2 meters in length.

- High speed communications lines

Prior to the test, the correct operation of the port shall be verified; the external connection shall then be removed and the surge applied directly to the port's terminals with no coupling /decoupling network. After the surge, the correct operation of the port shall again be verified.

- Shielded lines:

- Direct application,

The EUT is isolated from ground and the surge is applied to its metallic enclosure; the termination (or auxiliary equipment) at the port(s) under test is grounded. This test applies to equipment with single or multiple shielded cables.

Rules for application of the surge to shielded lines:

a) Shields grounded at both ends

- The surge injection on the shield.

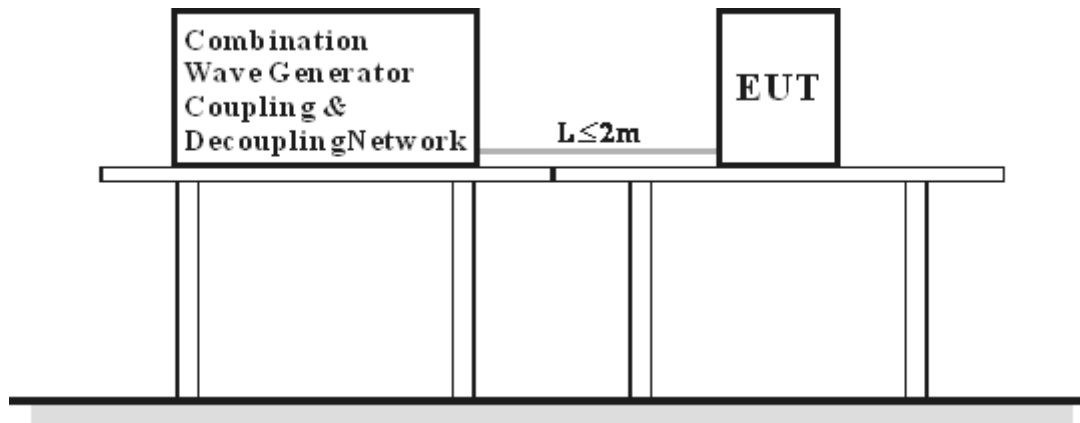
b) Shields grounded at one end

- If in the installation the shield is connected only at the auxiliary equipment, test shall be done in that configuration but with the generator still connected to the EUT side. If cable lengths allow, the cables shall be on insulated supports 0,1 m above the ground plane or cable tray.

For products which do not have metallic enclosures, the surge is applied directly to the shielded cable.

- Alternative coupling method for testing single cables in a multi-shield configuration,

Surges are applied in close proximity to the interconnection cable under test by a wire. The length of the cable between the port(s) under test and the device attached to the other end of the cable shall be the lesser of: the maximum length permitted by the EUT's specification, or 20 m. Where the length exceeds 1 m, excess lengths of cables shall be bundled at the approximate centre of the cables with the bundles 30 cm to 40 cm in length.



15.4 Test Results

| | | | |
|--------------------------|----------------|-----------|------------|
| Input Power | 230 Vac, 50 Hz | Tested by | Regan Wang |
| Environmental Conditions | 23 °C, 62 % RH | Test Date | 2019/12/09 |
| Test Mode | 1 | | |

Input AC power port

| Voltage (kV) | Test Point | Polarity (+/-) | Observation | Performance Criterion |
|--------------|------------|----------------|-------------|-----------------------|
| 0.5, 1 | L1-L2 | +/- | Note 1 | A |
| 0.5, 1, 2 | L1-PE | +/- | Note 1 | A |
| 0.5, 1, 2 | L2-PE | +/- | Note 1 | A |

Note: 1. The EUT function was correct during the test.

16 Immunity to Conducted Disturbances Induced by RF Fields (CS)

16.1 Test Specification

| | |
|------------------|--------------------------------------|
| Basic Standard: | EN/IEC 61000-4-6 |
| Frequency Range: | 0.15 MHz - 80 MHz |
| Voltage Level: | 3 V |
| Modulation: | 1 kHz Sine Wave, 80 %, AM Modulation |
| Frequency Step: | 1 % of preceding frequency value |
| Dwell Time | 3 seconds |

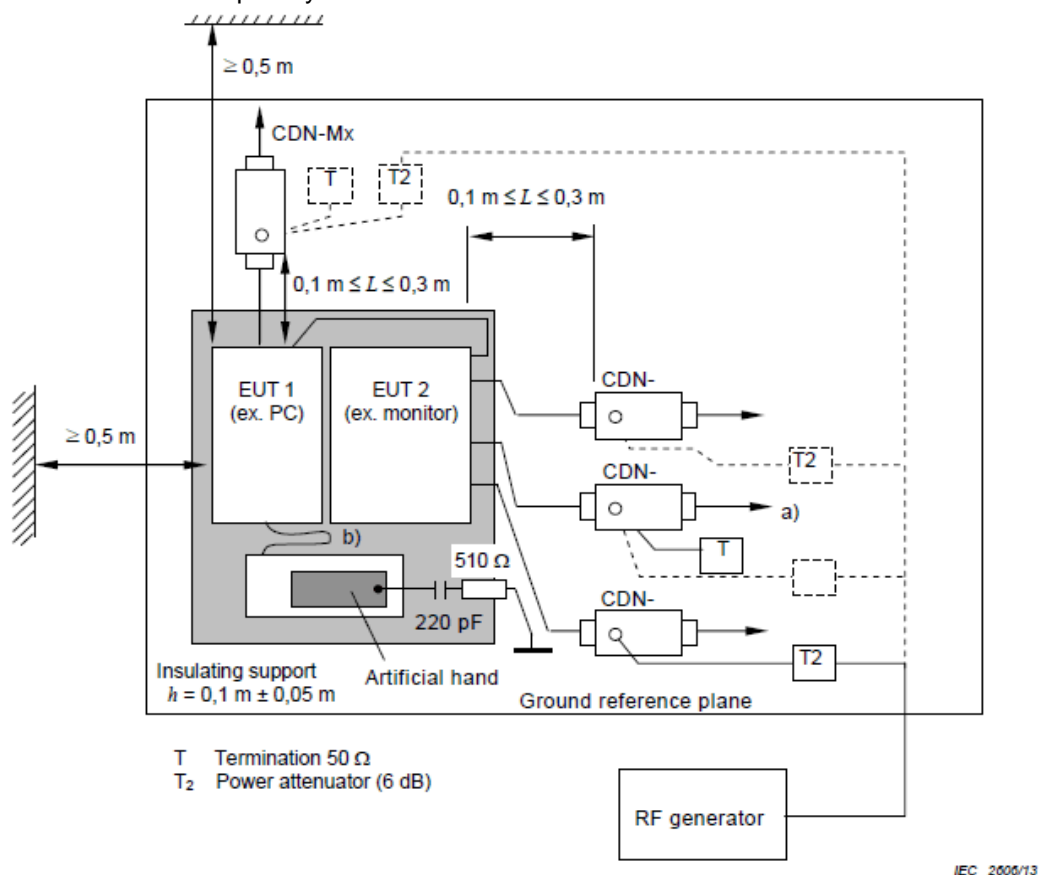
16.2 Test Instruments

| Description & Manufacturer | Model No. | Serial No. | Cal. Date | Cal. Due |
|--|----------------------|------------|---------------|---------------|
| FCC POWER LINE COUPLING DECOUPLING NETWORK | FCC-801-M1-25A | 03030 | Mar. 05, 2019 | Mar. 04, 2020 |
| Coupling Decoupling Network TESEQ | CDN T8-10 | 39921 | Mar. 04, 2019 | Mar. 03, 2020 |
| EMI Injection Clamp | F203I-23MM | 434 | Mar. 05, 2019 | Mar. 04, 2020 |
| FCC SIGNAL LINE POWER LINE COUPLING DECOUPLING NETWORK | FCC-801-M2/M3-16A | 112388 | Mar. 04, 2019 | Mar. 03, 2020 |
| R&S Power Amplifier | BBA100 | 101012 | NA | NA |
| R&S Signal generator | SMB100A | 105802 | Jan. 30, 2019 | Jan. 29, 2020 |
| R&S Software | EMC32 Version 8.52.0 | NA | NA | NA |
| Power Sensor | NRP-Z91 | 101574 | Jul. 01, 2019 | Jun. 30, 2020 |
| Power Sensor | NRP-Z91 | 101575 | Jun. 05, 2019 | Jun. 04, 2020 |

- Notes: 1. The test was performed in Hwa Ya CS Room 2.
 2. The calibration interval of the above test instruments is 12 months and the calibrations are traceable to NML/ROC and NIST/USA.

16.3 Test Arrangement

- The EUT shall be tested within its intended operating and climatic conditions.
- An artificial hand was placed on the hand-held accessory and connected to the ground reference plane.
- One of the CDNs not used for injection was terminated with 50 ohm, providing only one return path. All other CDNs were coupled as decoupling networks.
- The frequency range is swept from 150 kHz to 80 MHz, using the signal level established during the setting process and with a disturbance signal of 80 % amplitude. The signal is modulated with a 1 kHz sine wave, pausing to adjust the RF signal level or the switch coupling devices as necessary. Where the frequency is swept incrementally, the step size shall not exceed 1 % of the preceding frequency value.
- Attempts should be made to fully exercise the EUT during testing, and to fully interrogate all exercise modes selected for susceptibility.



- Only one of the CDNs not used for injection shall be terminated with 50 Ω, providing only one return path. All other CDNs shall be configured as decoupling networks.
- Interconnecting cables (≤ 1 m) belonging to the EUT shall remain on the insulating support.

16.4 Test Results

| | | | |
|--------------------------|----------------|-----------|-------------|
| Input Power | 230 Vac, 50 Hz | Tested by | Howand Yang |
| Environmental Conditions | 22 °C, 59 % RH | Test Date | 2019/12/09 |
| Test Mode | 1 | | |

| Frequency (MHz) | Level (Vrms) | Tested Line | Injection Method | Return Path | Observation | Performance Criterion |
|-----------------|--------------|-------------|------------------|-------------|-------------|-----------------------|
| 0.15 – 80 | 3 | Power | CDN-M3 | CDN-M1 | Note 1 | A |

Note: 1. The EUT function was correct during the test.

| | | | |
|--------------------------|----------------|-----------|------------|
| Input Power | 230 Vac, 50 Hz | Tested by | Evan Liao |
| Environmental Conditions | 22 °C, 59 % RH | Test Date | 2019/12/10 |
| Test Mode | 2 | | |

| Frequency (MHz) | Level (Vrms) | Tested Line | Injection Method | Return Path | Observation | Performance Criterion |
|-----------------|--------------|-------------|------------------|-------------|-------------|-----------------------|
| 0.15 – 80 | 3 | LAN 1 | CDN-T8 | CDN-M1 | Note 1 | A |

Note: 1. The EUT function was correct during the test.

| | | | |
|--------------------------|----------------|-----------|------------|
| Input Power | 230 Vac, 50 Hz | Tested by | Evan Liao |
| Environmental Conditions | 22 °C, 59 % RH | Test Date | 2019/12/10 |
| Test Mode | 3 | | |

| Frequency (MHz) | Level (Vrms) | Tested Line | Injection Method | Return Path | Observation | Performance Criterion |
|-----------------|--------------|-------------|------------------|-------------|-------------|-----------------------|
| 0.15 – 80 | 3 | LAN 4 | CDN-T8 | CDN-M1 | Note 1 | A |

Note: 1. The EUT function was correct during the test.

17 Power Frequency Magnetic Field Immunity Test

17.1 Test Specification

| | |
|-------------------|-----------------------------|
| Basic Standard: | EN/IEC 61000-4-8 |
| Frequency Range: | 50 Hz |
| Field Strength: | 1 A/m |
| Observation Time: | 1 minute |
| Inductance Coil: | Rectangular type, 1 m x 1 m |

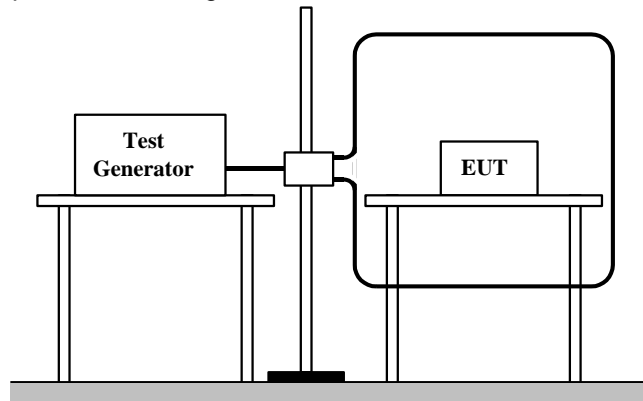
17.2 Test Instruments

| Description & Manufacturer | Model No. | Serial No. | Cal. Date | Cal. Due |
|--|---------------|------------|---------------|---------------|
| F.W.BELL 4190 Gaussmeter | 4190 | 1604006 | Apr. 10, 2019 | Apr. 09, 2020 |
| Teseq Multi turn Magnetic | INA702 | 268 | Oct. 09, 2019 | Oct. 08, 2020 |
| Schaffner AC Power Source | NSG1007 | 55616 | Oct. 09, 2019 | Oct. 08, 2020 |
| Schaffner Signal Conditioning Unit- Lumped Impedance | CCN1000-1-LR1 | 72224 | Oct. 09, 2019 | Oct. 08, 2020 |

- Notes: 1. The test was performed in Hwa Ya EMS2 Room.
 2. The calibration interval of the above test instruments is 12 months and the calibrations are traceable to NML/ROC and NIST/USA.

17.3 Test Arrangement

- The equipment is configured and connected to satisfy its functional requirements.
- The power supply, input and output circuits shall be connected to the sources of power supply, control and signal.
- The cables supplied or recommended by the equipment manufacturer shall be used. 1 meter of all cables used shall be exposed to the magnetic field.



17.4 Test Results

| | | | |
|--------------------------|----------------|-----------|------------|
| Input Power | 230 Vac, 50 Hz | Tested by | Regan Wang |
| Environmental Conditions | 26 °C, 59 % RH | Test Date | 2019/12/06 |
| Test Mode | 1 | | |

| Application | Frequency (Hz) | Field Strength (A/m) | Observation | Performance Criterion |
|-------------|----------------|----------------------|-------------|-----------------------|
| X - Axis | 50 | 1 | Note 1 | A |
| Y - Axis | 50 | 1 | Note 1 | A |
| Z - Axis | 50 | 1 | Note 1 | A |

Note: 1. The EUT function was correct during the test.

18 Voltage Dips and Interruptions

18.1 Test Specification

| | |
|-------------------------|---|
| Basic Standard: | EN/IEC 61000-4-11 |
| Test levels: | Voltage Dips: >95 % reduction – 0.5 period 30 % reduction – 25 periods Voltage Interruptions: >95 % reduction – 250 periods |
| Interval between Event: | Minimum ten seconds |
| Sync Angle (degrees): | 0° / 180° |
| Test Cycle: | 3 times |

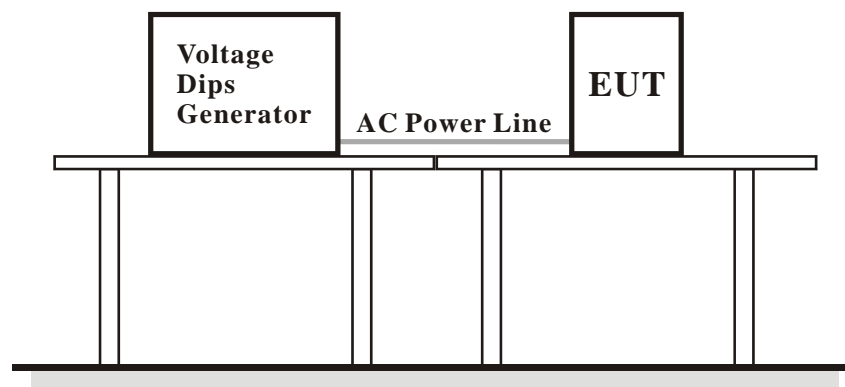
18.2 Test Instruments

| Description & Manufacturer | Model No. | Serial No. | Cal. Date | Cal. Due |
|----------------------------|--------------|------------|---------------|---------------|
| EMC Immunity Test System | NSG 3060 | 1385 | Jun. 26, 2019 | Jun. 25, 2020 |
| EMC Immunity Test System | CDN 3061 | 1355 | Jun. 26, 2019 | Jun. 25, 2020 |
| EMC Immunity Test System | VAR 3005-S16 | 857 | Jun. 26, 2019 | Jun. 25, 2020 |

- Notes: 1. The test was performed in Hwa Ya EMS Room 2.
 2. The calibration interval of the above test instruments is 12 months and the calibrations are traceable to NML/ROC and NIST/USA.

18.3 Test Arrangement

The EUT shall be tested for each selected combination of test levels and duration with a sequence of 3 dips/interruptions with intervals of 10 s minimum (between each test event). Each representative mode of operation shall be tested. Abrupt changes in supply voltage shall occur at 0 degree crossover point of the voltage waveform.



18.4 Test Results

| | | | |
|--------------------------|--------------------|-----------|------------|
| Input Power | 100-240 Vac, 50 Hz | Tested by | Regan Wang |
| Environmental conditions | 23 °C, 62 % RH | Test Date | 2019/12/06 |
| Test mode | 1 | | |

| Input Power for testing: 230 Vac, 50 Hz (Nominal input Voltage) | | | | | |
|---|-------------------|----------------|-------|-------------|-----------------------|
| Voltage Reduction (%) | Duration (period) | Interval (sec) | Times | Observation | Performance Criterion |
| >95 | 0.5 | 10 | 3 | Note 1 | A |
| 30 | 25 | 10 | 3 | Note 1 | A |
| >95 | 250 | 10 | 3 | Note 2 | C |

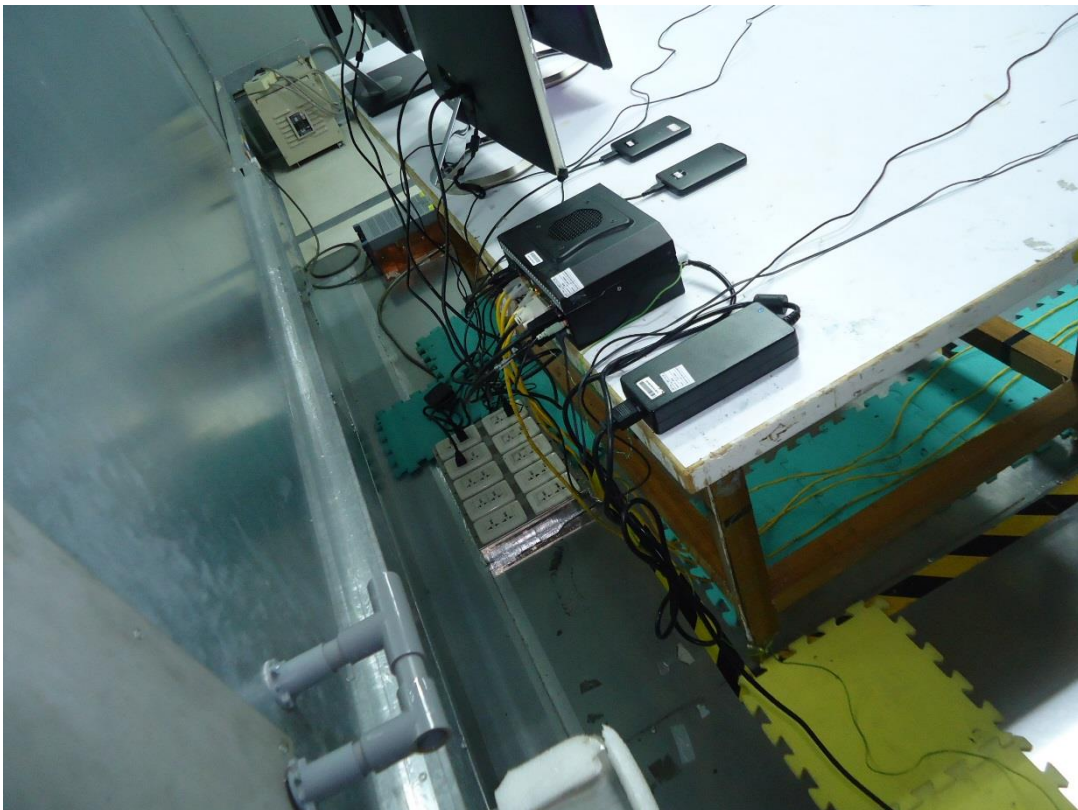
| Input Power for testing: 240 Vac, 50 Hz (Maximum rated input voltage) | | | | | |
|---|-------------------|----------------|-------|-------------|-----------------------|
| Voltage Reduction (%) | Duration (period) | Interval (sec) | Times | Observation | Performance Criterion |
| >95 | 0.5 | 10 | 3 | Note 1 | A |
| 30 | 25 | 10 | 3 | Note 1 | A |
| >95 | 250 | 10 | 3 | Note 2 | C |

| Input Power for testing: 100 Vac, 50 Hz (Minimum rated input voltage) | | | | | |
|---|-------------------|----------------|-------|-------------|-----------------------|
| Voltage Reduction (%) | Duration (period) | Interval (sec) | Times | Observation | Performance Criterion |
| >95 | 0.5 | 10 | 3 | Note 1 | A |
| 30 | 25 | 10 | 3 | Note 1 | A |
| >95 | 250 | 10 | 3 | Note 2 | C |

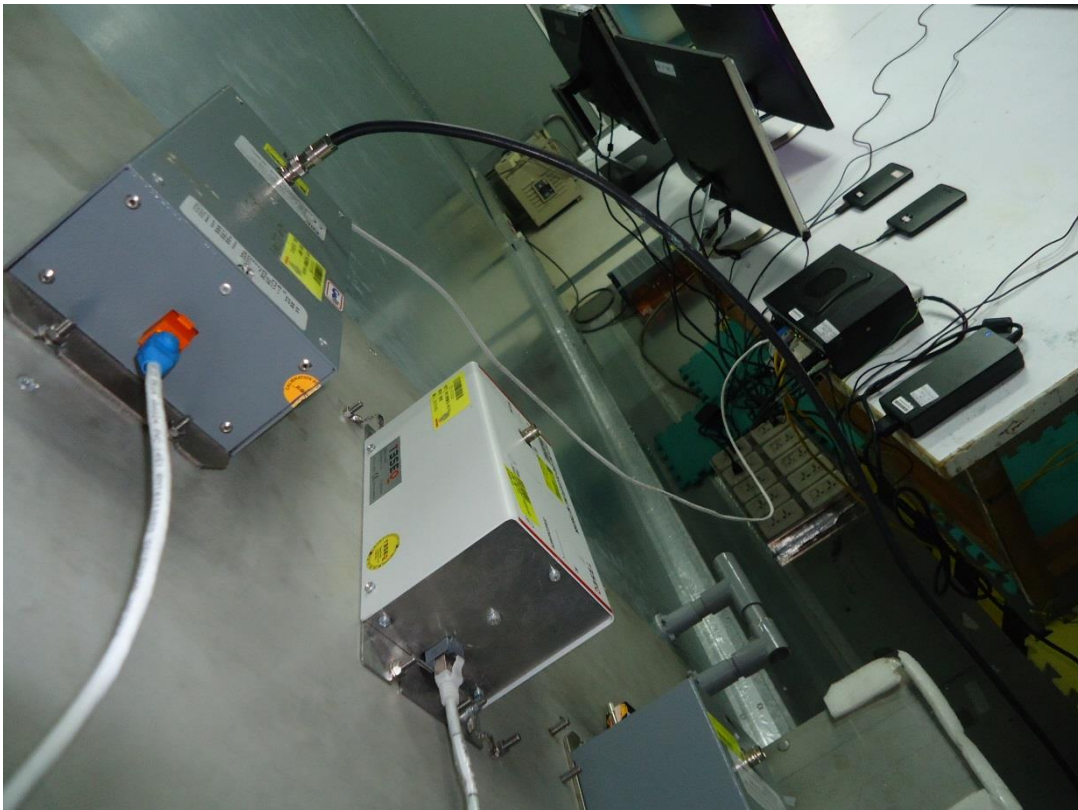
- Note: 1. The EUT function was correct during the test.
 2. The EUT shut down during the test, and must be recovered manually.

19 Pictures of Test Arrangements

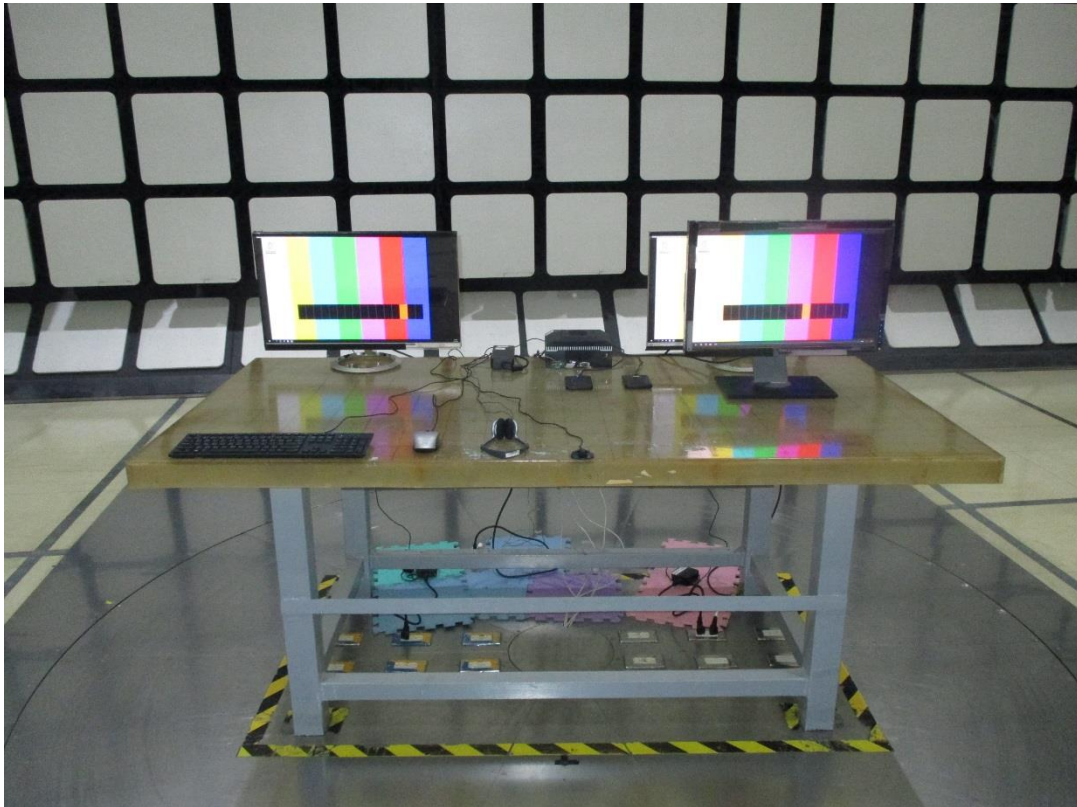
19.1 Conducted Disturbance at Mains Ports



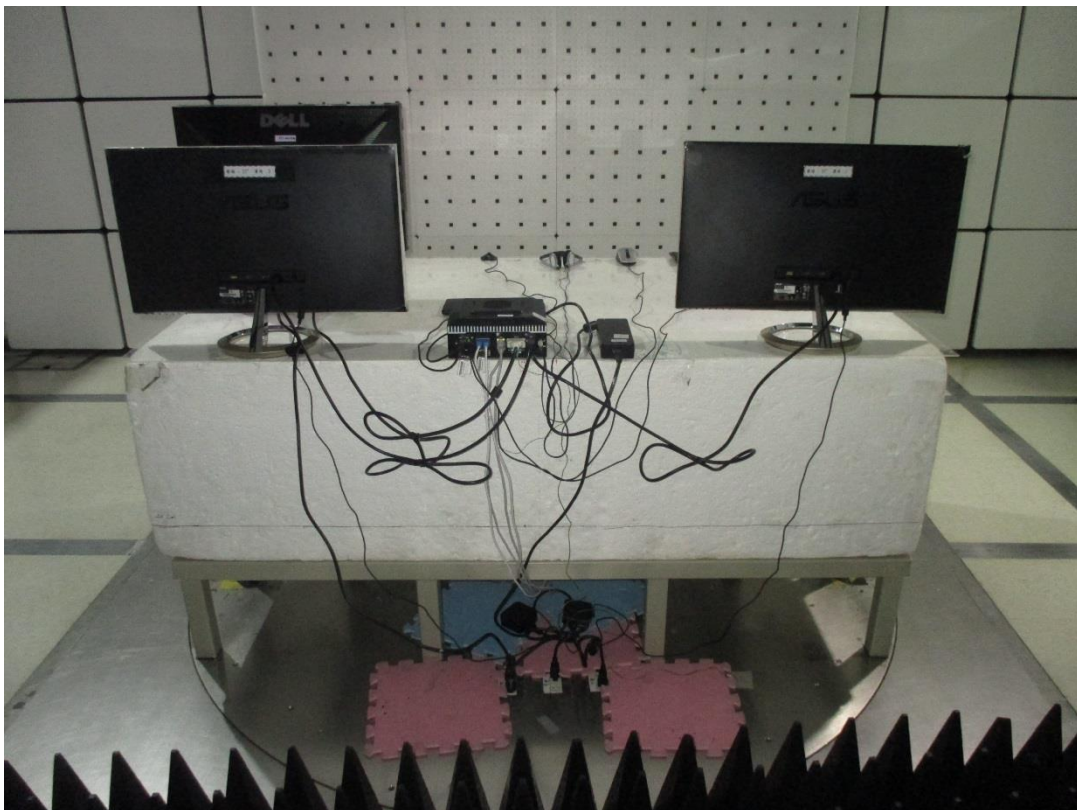
19.2 Asymmetric Mode Conducted Emission at Wired Network Ports



19.3 Radiated Disturbance up to 1 GHz



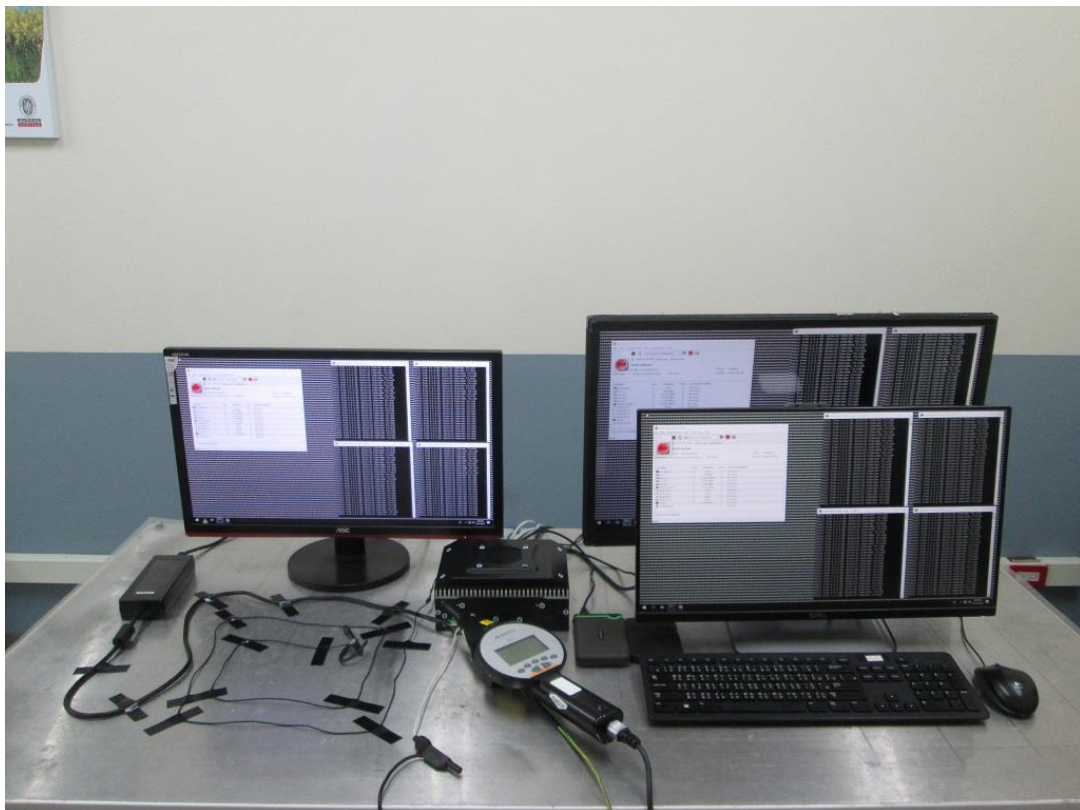
19.4 Radiated Disturbance above 1 GHz



19.5 Harmonics Current, Voltage Fluctuations and Flicker Measurement

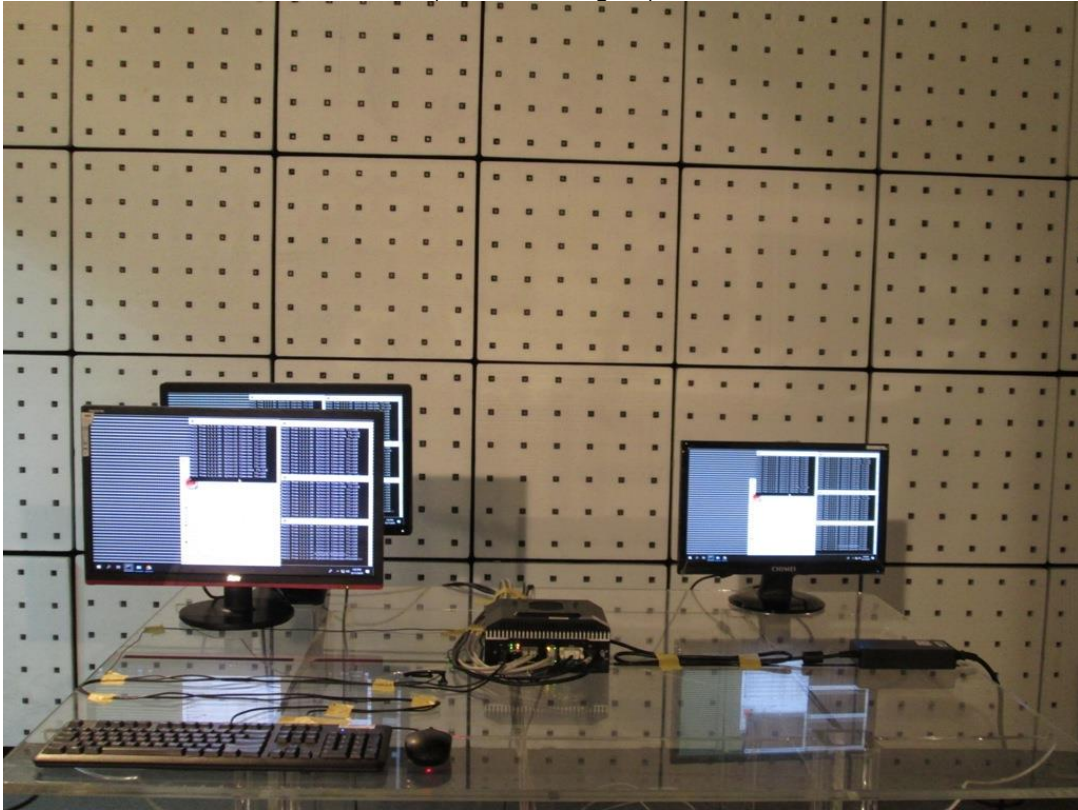


19.6 Electrostatic Discharge Immunity Test (ESD)



19.7 Radio-frequency, Electromagnetic Field Immunity Test (RS)

(Mode 1_0 degree)



(Mode 1_90 degree)



(Mode 1_180 degree)



(Mode 1_270 degree)



19.8 Electrical Fast Transient/Burst Immunity Test (EFT)

(Mode 1)



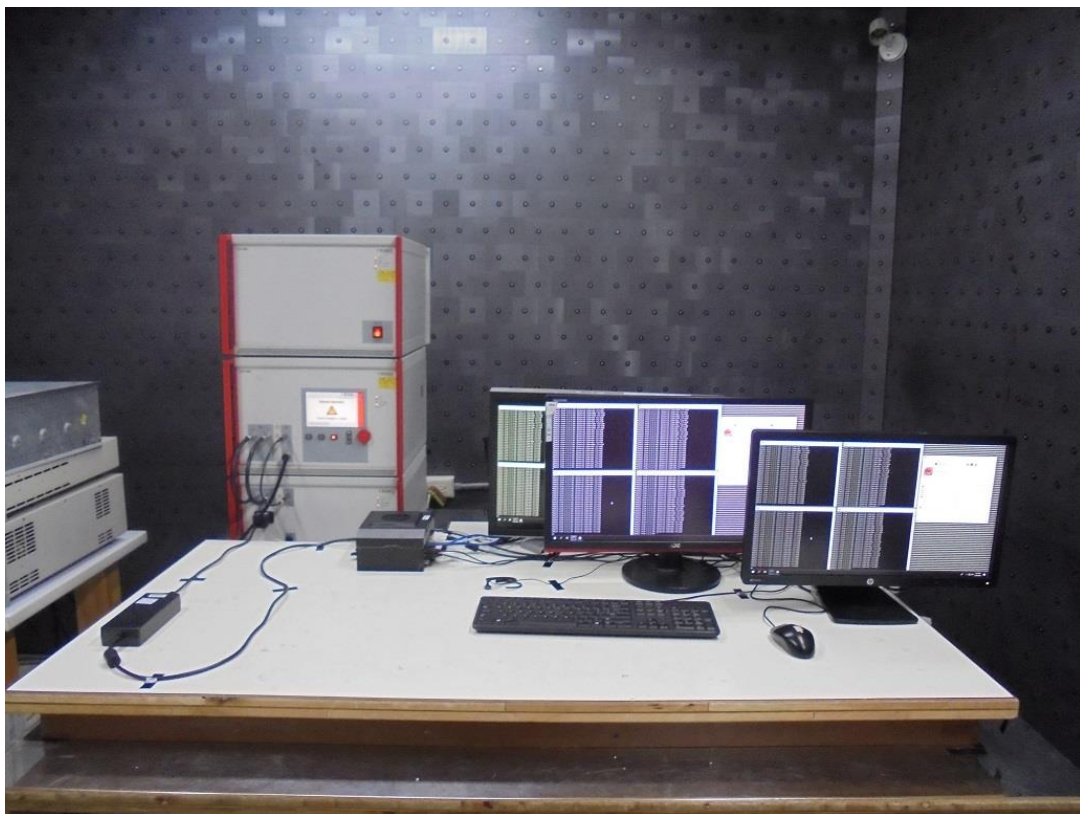
(Mode 2)



(Mode 3)

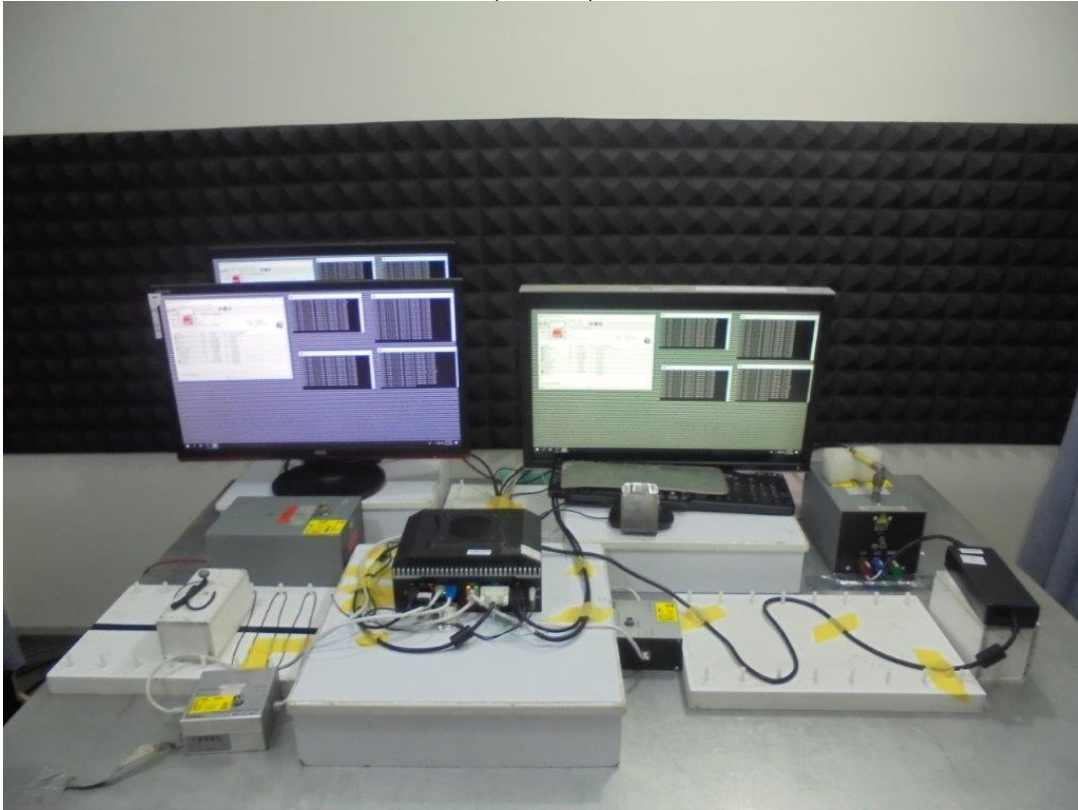


19.9 Surge Immunity Test



19.10 Conducted Disturbances Induced by RF Fields (CS)

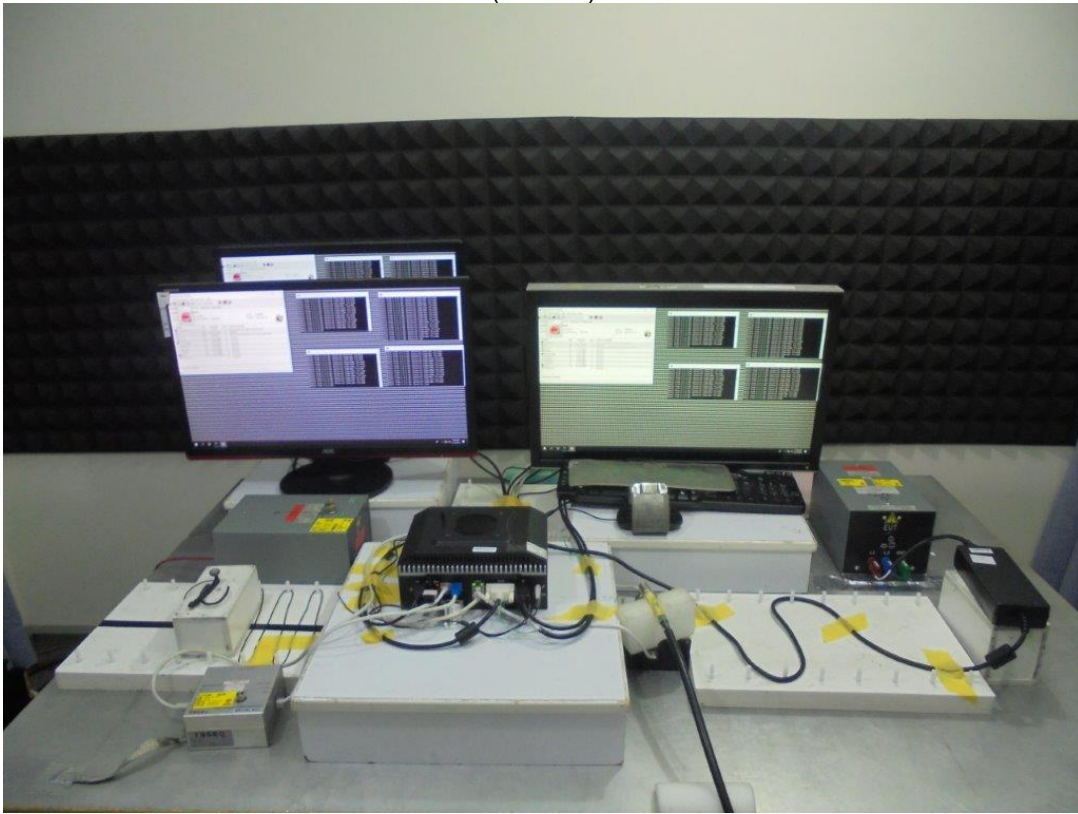
(Mode 1)



(Mode 2)



(Mode 3)



19.11 Power Frequency Magnetic Field Immunity Test (PFMF)



19.12 Voltage Dips and Interruptions



Appendix – Information of the Testing Laboratories

We, Bureau Veritas Consumer Products Services (H.K.) Ltd., Taoyuan Branch, were founded in 1988 to provide our best service in EMC, Radio, Telecom and Safety consultation. Our laboratories are accredited and approved according to ISO/IEC 17025.

If you have any comments, please feel free to contact us at the following:

Lin Kou EMC/RF Lab

Tel: 886-2-26052180

Fax: 886-2-26051924

Hsin Chu EMC/RF/Telecom Lab

Tel: 886-3-6668565

Fax: 886-3-6668323

Hwa Ya EMC/RF/Safety Lab

Tel: 886-3-3183232

Fax: 886-3-3270892

Email: service.adt@tw.bureauVeritas.com

Web Site: www.bureauVeritas-adt.com

The address and road map of all our labs can be found in our web site also.

--- END ---